



Best Floor Drains

FLOOR DRAINS

TESTED BY
CSTB

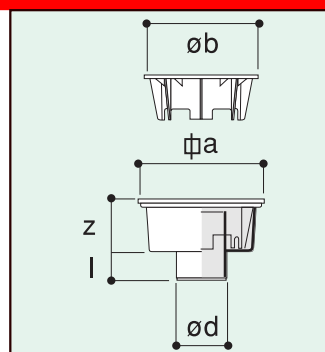
*Flow rate in accordance with regulation EN 1253-1 §8.11
Test and data available on request.

floor drain with vertical outlet (PVC)

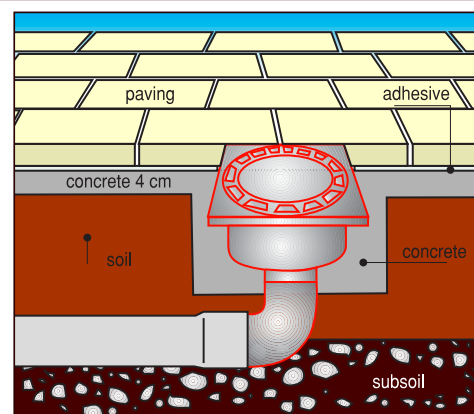
Ød	DIM. Φ a	PACK	EURO	REF.
outlet: Ø 40, 50	100 x 100	12		02010* , 02011
outlet: Ø 50	150 x 150	12		01955
outlet: Ø 80, 82, 100	200 x 200	6		01956* , 04501 , 01834*
outlet: Ø 75, 110	200 x 200	6		01754* , 04502*
outlet: Ø 80, 82, 100	250 x 250	6		04504* , 04505 , 02013*
outlet: Ø 75, 110	250 x 250	6		04503* , 04506*
outlet: Ø 80, 82, 100	300 x 300	6		04508* , 04509 , 02687*
outlet: Ø 75, 110	300 x 300	6		04507* , 04510*



TECHNICAL SPECIFICATIONS



b	l	z	ref.
92	32	61	02010 , 02011
130	38	65	01955
177	42	83	01956 , 04501 , 01834
177	42	83	01754 , 04502
177	42	83	04504 , 04505 , 02013
177	42	83	04503 , 04506
177	42	83	04508 , 04509 , 02687
177	42	83	04507 , 04510



APPLICATION

TESTED BY
CSTB

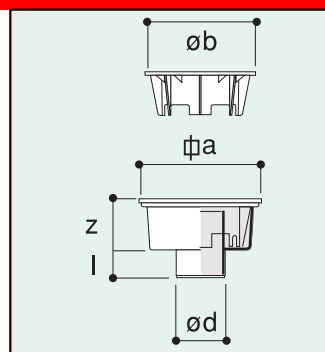
*Flow rate in accordance with regulation EN 1253-1 §8.11
Test and data available on request.

floor drain with vertical outlet (PP)

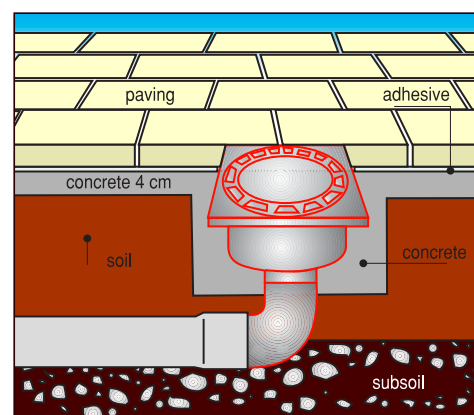
Ød	DIM. Φ a	PACK	EURO	REF.
outlet: Ø 40, 50	100 x 100	12		04763* , 04764
outlet: Ø 50	150 x 150	12		04765
outlet: Ø 50	200 x 200	12		04766
outlet: Ø 80, 82, 100	200 x 200	6		04801* , 04802 , 04803*
outlet: Ø 75, 110	200 x 200	6		04800* , 04804*
outlet: Ø 80, 82, 100	250 x 250	6		04806* , 04807 , 04808*
outlet: Ø 75, 110	250 x 250	6		04805* , 04809*
outlet: Ø 80, 82, 100	300 x 300	6		04811* , 04812 , 04813*
outlet: Ø 75, 110	300 x 300	6		04810* , 04814*



TECHNICAL SPECIFICATIONS



b	l	z	ref.
92	32	61	04763 , 04764
130	38	65	04765
130	38	65	04766
177	42	83	04801 , 04802 , 04803
177	42	83	04800 , 04804
177	42	83	04806 , 04807 , 04808
177	42	83	04805 , 04809
177	42	83	04811 , 04812 , 04813
177	42	83	04810 , 04814



APPLICATION

GREY RAL 7035

FLOOR DRAINS

TESTED BY
CSTB

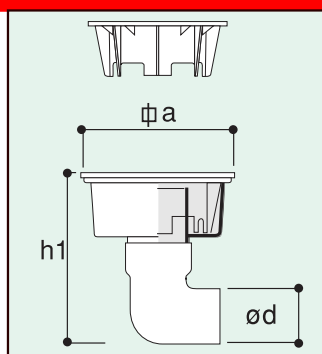
*Flow rate in accordance with regulation EN 1253-1 §8.11
Test and data available on request.

floor drain with horizontal outlet (PVC)

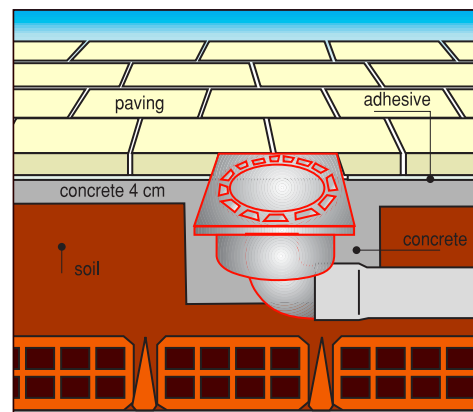
Ød	DIM.φa	PACK	EURO	REF.
outlet: ø 40, 50	100 x 100	12		04824, 04825
outlet: ø 50	150 x 150	12		04826*
outlet: ø 80, 100	200 x 200	6		04828*, 04829*
outlet: ø 75, 110	200 x 200	6		04827*, 04830*
outlet: ø 80, 100	250 x 250	6		04832*, 04833*
outlet: ø 75, 110	250 x 250	6		04831*, 04834*
outlet: ø 80, 100	300 x 300	6		04836*, 04837*
outlet: ø 75, 110	300 x 300	6		04835*, 04838*



TECHNICAL SPECIFICATIONS



hl	ref.
105 - 125	04824, 04825
128	04826
185 - 205	04828, 04829
180 - 220	04827, 04830
190 - 210	04832, 04833
180 - 220	04831, 04834
180 - 200	04836, 04837
180 - 220	04835, 04838



APPLICATION

TESTED BY
CSTB

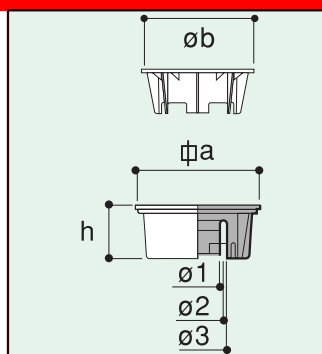
*Flow rate in accordance with regulation EN 1253-1 §8.11
Test and data available on request.

floor drain with internal outlet (PVC)

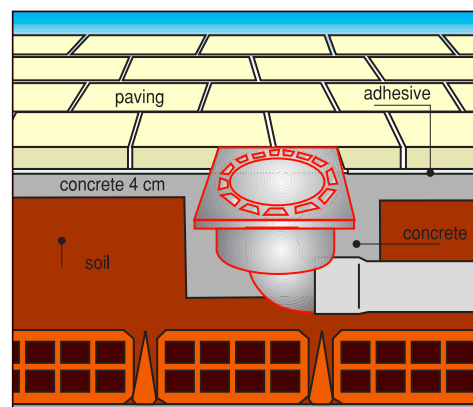
DIM.φa	PACK	EURO	REF.
100 x 100	12		04748*
150 x 150	12		04749*
200 x 200	6		04750*
200 x 200	6		04751*
250 x 250	6		04865*
250 x 250	6		04866*
300 x 300	6		04867*
300 x 300	6		04868*



TECHNICAL SPECIFICATIONS



Øb	h	Ø1 Ø2 Ø3	ref.
92	50	32 - 40	04748
138	63	40 - 50	04749
182	92	63 - 75 - 90	04750
182	92	63 - 75 - 100	04751
228	95	100	04865
228	95	110	04866
228	95	100	04867
228	95	110	04868



APPLICATION

GREY RAL 7035

FLOOR DRAINS

TESTED BY
CSTB

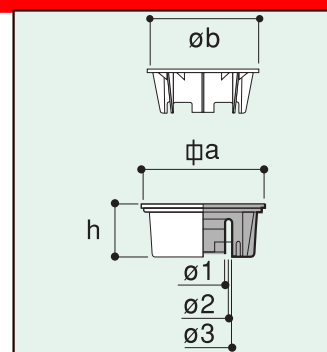
*Flow rate in accordance with regulation EN 1253-1 §8.11
Test and data available on request.

floor drain with internal outlet (PP)

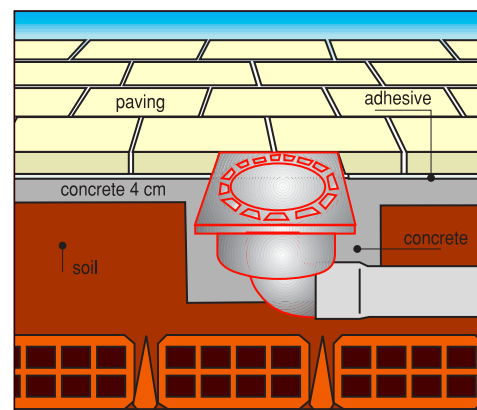
DIM. ϕa	PACK	EURO	REF.
100 x 100	12		04756*
150 x 150	12		04757*
200 x 200	6		04758*
250 x 250	6		04869*
250 x 250	6		04870*
300 x 300	6		04871*
300 x 300	6		04872*



TECHNICAL SPECIFICATIONS



ϕb	h	$\phi 1$	$\phi 2$	$\phi 3$	ref.
92	50	32 - 40			04756
138	63	40 - 50			04757
182	92	80 - 100			04758
228	95	100			04869
228	95	110			04870
228	95	100			04871
228	95	110			04872



APPLICATION

TESTED BY
CSTB

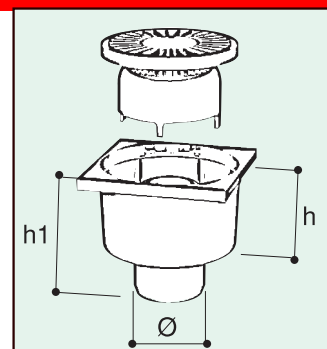
*Flow rate in accordance with regulation EN 1253-1 §8.11
Test and data available on request.

chromium plated floor drain (ABS) with vertical outlet

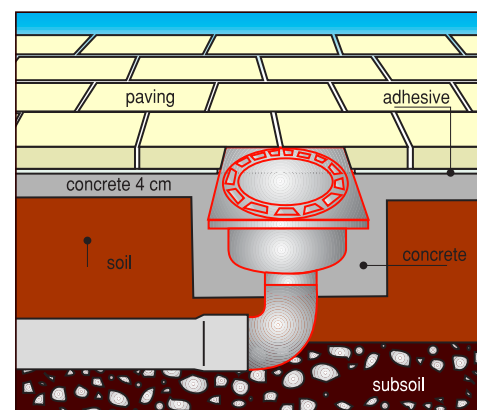
DIM.	PACK	EURO	REF.
100 x 100	12		00285*
100 x 100	12		00957
150 x 150	12		00775
200 x 200	12		00776



TECHNICAL SPECIFICATIONS



h1	ϕ	h	ref.
95	40	60	00285
95	50	60	00957
95	50	60	00775
95	50	60	00776



APPLICATION

GREY RAL 7035/CHROMIUM

FLOOR DRAINS



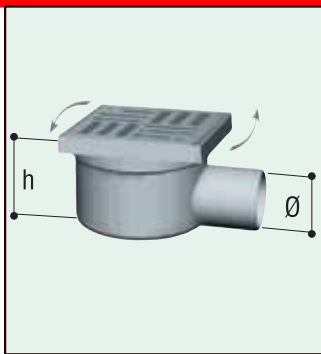
trapped balcony outlet with adjustable horizontal outlet and with grill

NOTES	DIM.	PACK	EURO	REF.
outlet: \varnothing 40 - PP grill	100 x 100	12		04215
outlet: \varnothing 50 - PP grill	100 x 100	12		04216
outlet: \varnothing 40 - Stainless steel* grill	100 x 100	12		04217
outlet: \varnothing 50 - Stainless steel* grill	100 x 100	12		04224

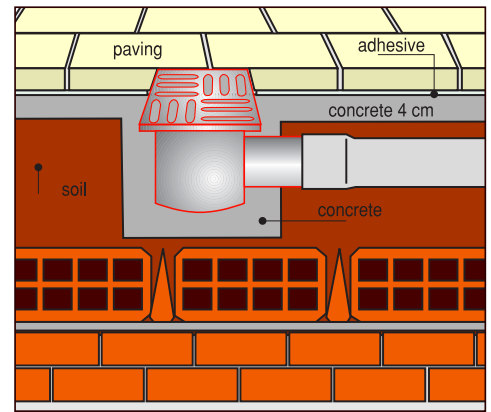
*Stainless steel type AISI 304



TECHNICAL SPECIFICATIONS



\varnothing outlet	h	ref.
40	80	04215
50	80	04216
40	80	04217
50	80	04224



APPLICATION

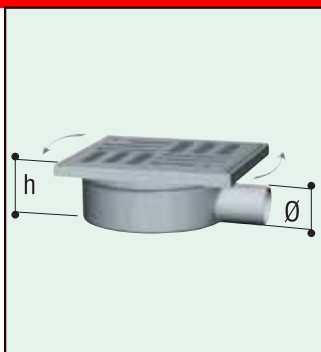
trapped balcony outlet with adjustable horizontal outlet and with grill (low profile)

NOTES	DIM.	PACK	EURO	REF.
outlet: \varnothing 40 - PP grill	150 x 150	12		04142
outlet: \varnothing 50 - PP grill	150 x 150	12		04225
outlet: \varnothing 40 - Stainless steel* grill	150 x 150	12		04152
outlet: \varnothing 50 - Stainless steel* grill	150 x 150	12		04191

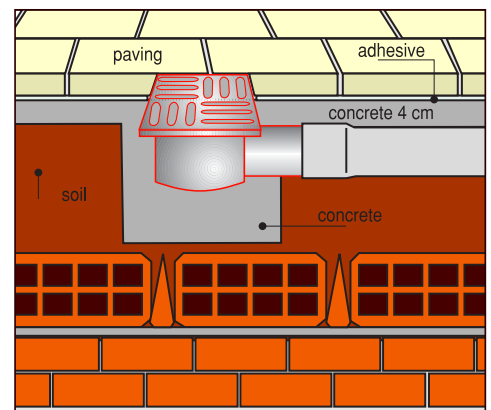
*Stainless steel type AISI 304



TECHNICAL SPECIFICATIONS



\varnothing outlet	h	ref.
40	75	04142
50	75	04225
40	75	04152
50	75	04191



APPLICATION

MATERIAL PP - GREY RAL 7035

FLOOR DRAINS



TESTED BY
MPA *Flow rate in accordance with regulation EN 1253-1 §8.11
 Test and data available on request.

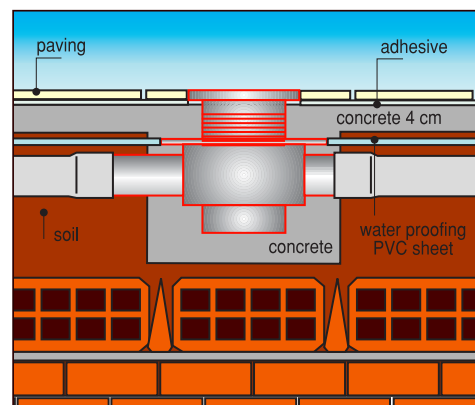
trapped floor drain (PP), inlet Ø40 with adjustable horizontal outlet and adjustable height



NOTES	DIM. a	PACK	EURO	REF.
outlet: ø 50 - PP grill	100 x 100	4		06004*
outlet: ø 50 - Stainless steel* grill	100 x 100	4		06007*
outlet: ø 50 - PP grill	150 x 150	4		06009*
outlet: ø 50 - Stainless steel* grill	150 x 150	4		06011*

*Stainless steel type AISI 304

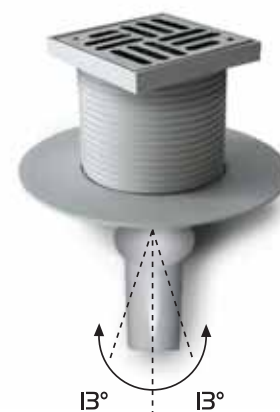
TECHNICAL SPECIFICATIONS	b	c	h1	h2	Ø1	Ø2	ref.
	218	55	100	115	50	40	06004
	218	55	100	115	50	40	06007
	218	55	100	115	50	40	06009
	218	55	100	115	50	40	06011



APPLICATION

TESTED BY
CSTB *Flow rate in accordance with regulation EN 1253-1 §8.11
 Test and data available on request.

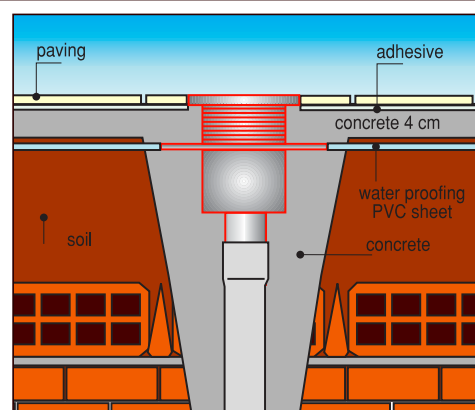
untrapped floor drain (PP) with adjustable vertical outlet and adjustable height



NOTES	DIM. a	PACK	EURO	REF.
outlet: ø 50 - PP grill	100 x 100	6		06157*
outlet: ø 50 - Stainless steel* grill	100 x 100	6		06158*
outlet: ø 50 - PP grill	150 x 150	6		06159*
outlet: ø 50 - Stainless steel* grill	150 x 150	6		06160*

*Stainless steel type AISI 304

TECHNICAL SPECIFICATIONS	b	c	h	Ø	ref.
	190	110	100	50	06157
	190	110	100	50	06158
	190	110	100	50	06159
	190	110	100	50	06160



APPLICATION

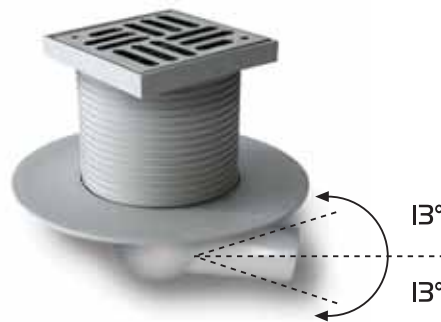
MATERIAL PP - GREY RAL 7035

FLOOR DRAINS



*Flow rate in accordance with regulation EN 1253-1 §8.11
Test and data available on request.

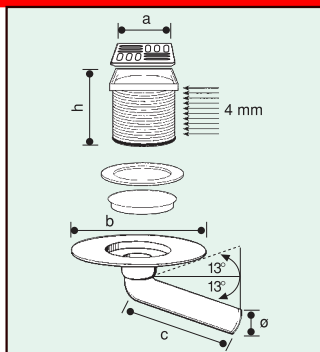
untrapped floor drain (PP) with adjustable horizontal outlet



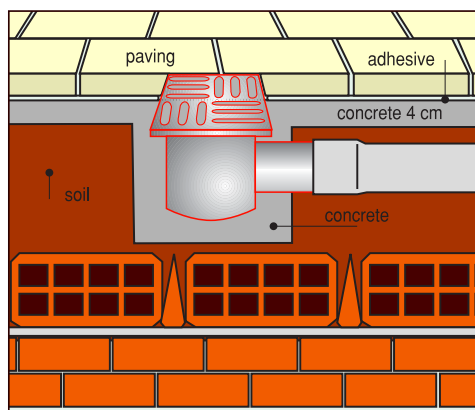
NOTES	DIM. a	PACK	EURO	REF.
outlet: ø 50 - PP grill	100 x 100	6		06161*
outlet: ø 50 - Stainless steel* grill	100 x 100	6		06162*
outlet: ø 50 - PP grill	150 x 150	6		06163*
outlet: ø 50 - Stainless steel* grill	150 x 150	6		06164*

*Stainless steel type AISI 304

TECHNICAL SPECIFICATIONS



b	c	h	Ø	cod.
190	155	100	50	06161
190	155	100	50	06162
190	155	100	50	06163
190	155	100	50	06164



APPLICATION

CSTB
le futur en construction
HYDRAULIQUE ET EQUIPEMENTS
SANITAIRES
HYDRAULIC AND SANITARY EQUIPMENTS
Robetteries et Appareils sanitaires
Tapware and Sanitaryware

RAPPORT D'ESSAIS
N° RAS 07-26009813/B et N° RAS 08-26014217
TEST REPORT
N° RAS 07-26009813/B and N° RAS 08-26014217

CONCERNANT DES SIPHONS DE COUR
CONCERNING FLOOR DRAINS

Ce rapport d'essais atteste uniquement des caractéristiques de l'éprouve soumise aux essais et ne constitue pas des caractéristiques de produits similaires. E ne constitue pas une certification de produits au sens de l'article 1,115-27 du code de la consommation en date du 30 Juin 1994.

If this report is being issued as an electronic document please use official electronic media, since the paper version of the report signed by CSTB shall be deemed authentic in case of litigation. This report in paper form is kept at CSTB for a minimum period of 10 years.

La reproduction de ce rapport d'essais n'est autorisée que sous sa forme intégrale.
It comprises 13 pages (incl. 2 pages d'annexe).

The reproduction of this test report is only authorized in its integral form.
It comprises 13 pages (including 2 appendix pages).

A LA DEMANDE DE :
REQUESTED BY:

EUROPLAST S.p.A.
Via Gorizia, 7 (Tv)
31026(LUCIA DI PIAVE (ITALY)
A l'attention de MM. Alessandro BERNADI
Et Manuel Zucchetto

CENTRE SCIENTIFIQUE ET TECHNIQUE DU BATIMENT
1688 BOULEVARD - 84 AVENUE JEAN JAURES | CHAMPS-SUR-MARNE | 77047 MARNE LA VALLEE (SEDEX 2)
TEL. (33) 01 84 58 81 86 | FAX. (33) 01 84 58 84 84 | www.cstb.fr
MARNE-LE-VALLÉE | PARIS | SEINE-SAINE-DENIS | SEINE-SAINT-DENIS

Staatliche Materialprüfungsanstalt Darmstadt
Grafenstr. 2, D-64283 Darmstadt
Zertifizierungsstelle

Bescheinigung über die Prüfung für den Übereinstimmungsnachweis ÜHP

K 04 1425

Dem Hersteller: **EUROPLAST s.p.a.**
Via Gorizia 7
I-31025 S. Lucia di Piave (TV)

und Herstellerwerk: **EUROPLAST s.p.a.**
Via Gorizia 7
I-31025 S. Lucia di Piave (TV)

wird bescheinigt, dass nach Prüfung durch die anerkannte Prüfstelle

Staatliche Materialprüfungsanstalt Darmstadt
Grafenstr. 2
D-64283 Darmstadt

als Übereinstimmungsnachweis gemäß Bauregelle A Teil 1 Bz. Nr. 12.2.12 für die nachfolgend bezeichneten Bauprodukte eine Übereinstimmungserklärung des Herstellers (ÜHP) erteilt werden darf. Die Ergebnisse der Prüfung sind im Prüfbericht K 04 1425 dargestellt.

Darauf entsprechen die Bauprodukte der technischen Regel DIN EN 1253-2: 2004-03.

Bauprodukt: **Bodenablauf mit seitlichem Anschluss für Bodenbelag mit- und ohne Gerscheverschluss (Siphon) aus Polypropylen.**

Mit der weitestgehenden Produktionskontrolle hat der Hersteller sicherzustellen, dass die von ihm hergestellten Bauprodukte den geprüften Mustern und den maßgebenden technischen Regeln entsprechen.

Er ist dann berechtigt, diese Bauprodukte mit dem Übereinstimmungszeichen (Ü-Zeichen) gemäß der Verordnung über das Übereinstimmungszeichen (ÜZV) zu kennzeichnen.

Diese Bescheinigung gilt bis 31.01.2011

Darmstadt, den 18.01.2008

Dr.-Ing. A. Beckenkover
Leiter Zertifizierungsstelle

MATERIAL PP - GREY RAL 7035

adjustable dry floor trap (PP)

NOTES DIM. a PACK EURO REF.

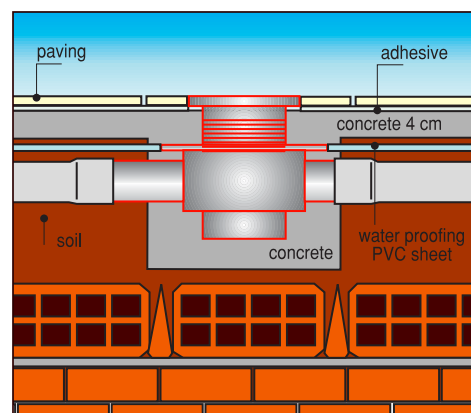
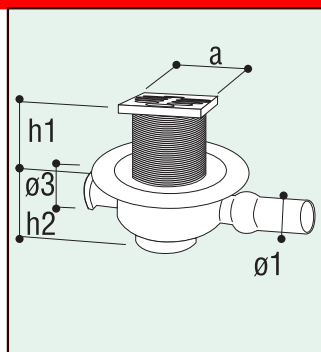
outlet: \varnothing 50 - PP grill	100 x 100	4		05009
outlet: \varnothing 50 - Stainless steel* grill	100 x 100	4		05010
outlet: \varnothing 50 - PP grill	150 x 150	4		05011
outlet: \varnothing 50 - Stainless steel* grill	150 x 150	4		05012

*Stainless steel type AISI 304



TECHNICAL SPECIFICATIONS

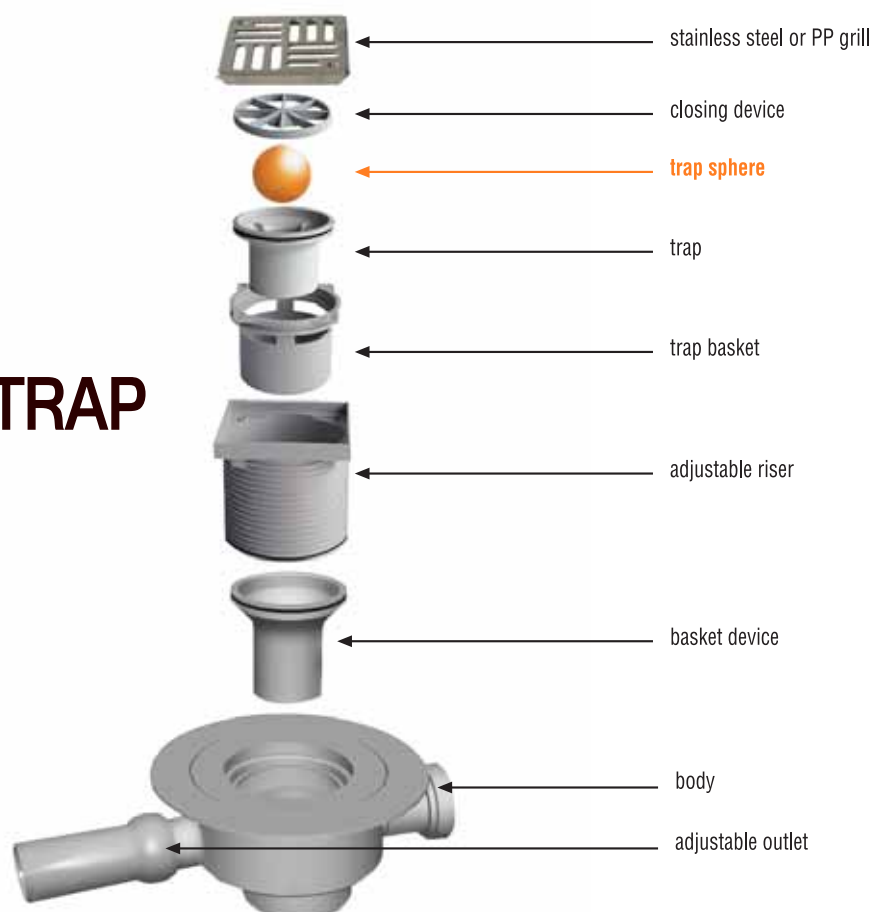
h1	h2	\varnothing 1	\varnothing 2	ref.
111	112	50	40	05009
111	112	50	40	05010
111	112	50	40	05011
111	112	50	40	05012



APPLICATION

ADJUSTABLE DRY

FLOOR TRAP



DRY FLOOR TRAP

stainless steel or PP grill

closing device

trap sphere

trap

trap basket

adjustable riser

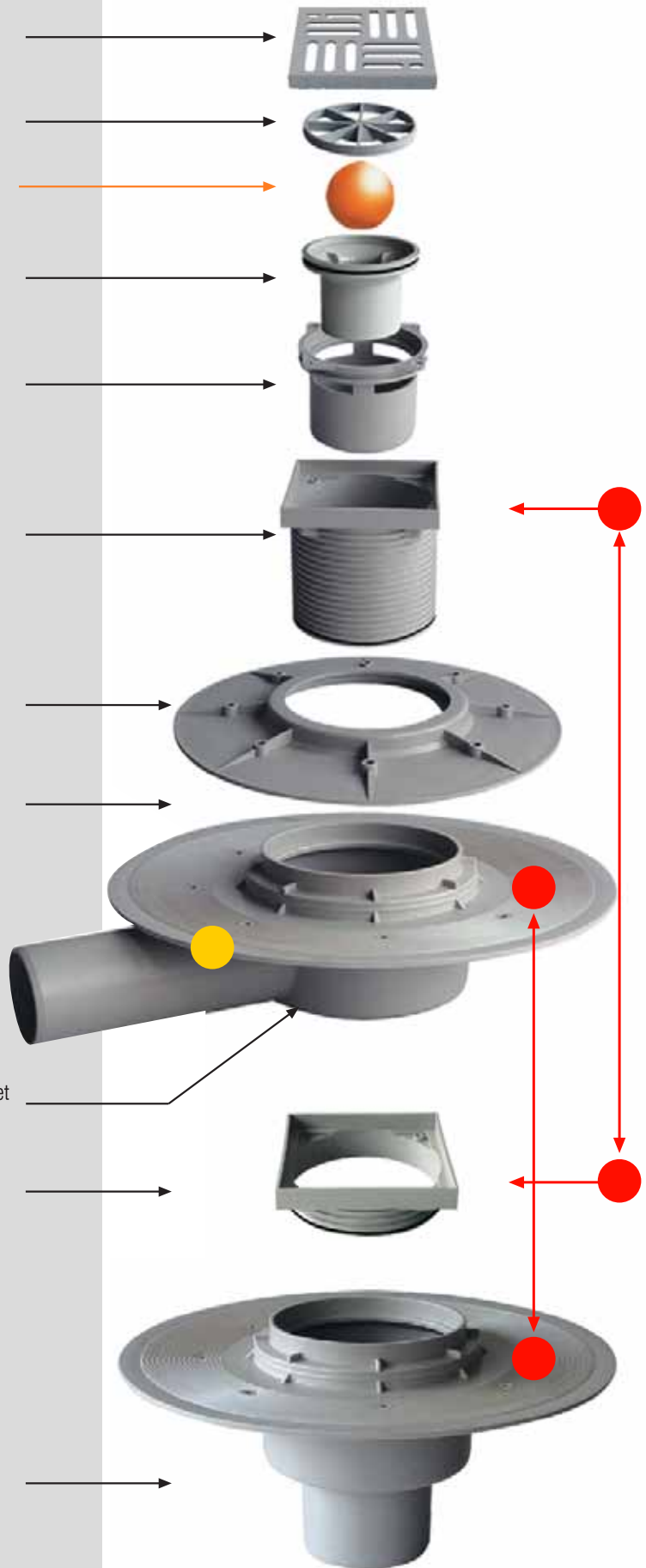
locking plate

PVC waterproofing sheet

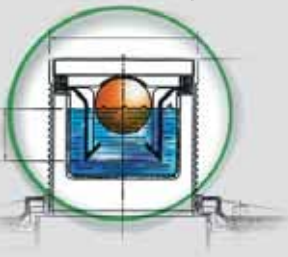
low profile horizontal outlet

low riser

vertical outlet



(WATER)



(DRY)



MATERIAL PP - GREY RAL 7035

INTERCHANGEABLE PVC BODY

FLOOR DRAINS

dry floor trap with horizontal outlet (low) and high riser

NOTES DIM. ϕa PACK EURO REF.

outlet: ϕ 40 - PP grill	100 x 100	1		04879
outlet: ϕ 40 - PP grill	150 x 150	1		04881
outlet: ϕ 50 - PP grill	100 x 100	1		04880
outlet: ϕ 50 - PP grill	150 x 150	1		04882
outlet: ϕ 40 - Stainless steel* grill	100 x 100	1		04888
outlet: ϕ 40 - Stainless steel* grill	150 x 150	1		04890
outlet: ϕ 50 - Stainless steel* grill	100 x 100	1		04889
outlet: ϕ 50 - Stainless steel* grill	150 x 150	1		04891

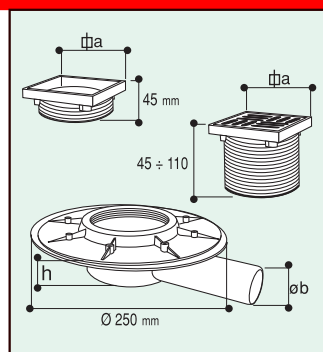
*Stainless steel type AISI 304



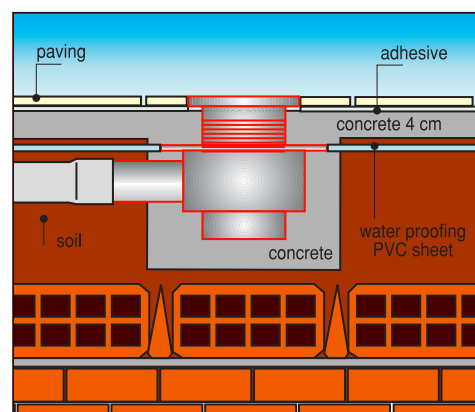
HORIZONTAL DRY FLOOR TRAP WITH PVC BODY

TECHNICAL SPECIFICATIONS

ϕb h ref.



40	50	04879
40	50	04881
50	56	04880
50	56	04882
40	50	04888
40	50	04890
50	56	04889
50	56	04891



APPLICATION

dry floor trap with vertical outlet and riser

NOTES DIM. ϕa PACK EURO REF.

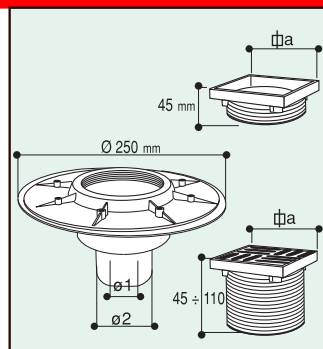
outlet: ϕ 50, 75 - PP grill	100 x 100	1		06145
outlet: ϕ 50, 75 - PP grill	150 x 150	1		06141
outlet: ϕ 50, 75 - Stainless steel* grill	100 x 100	1		06146
outlet: ϕ 50, 75 - Stainless steel* grill	150 x 150	1		06142

*Stainless steel type AISI 304

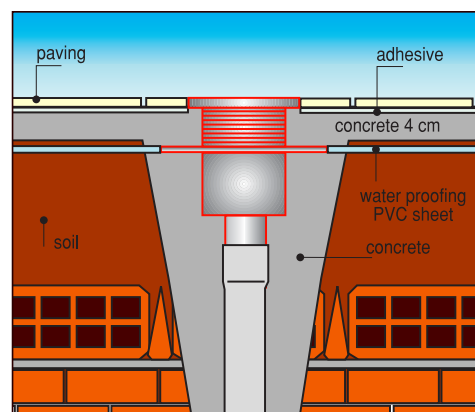


TECHNICAL SPECIFICATIONS

$\phi 1$ $\phi 2$ ref.



50	75	06145
50	75	06141
50	75	06146
50	75	06142



APPLICATION

MATERIAL PP - GREY RAL 7035

FLOOR DRAINS

waterproof PVC sheet

NOTES	DIM.	PACK	EURO	REF.
1 single sheet	1,2 m x 1 m	1		TELO
30 metres	1,2 m x 30 m	1		ROTELO



floor drain outlet (low)

TESTED BY



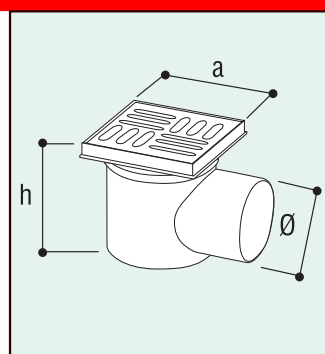
*Flow rate in accordance with regulation EN 1253-1 §8.11
Test and data available on request.

NOTES	DIM.	PACK	EURO	REF.
outlet: ø 75 - PP grill	150 x 150	6		06087*
outlet: ø 110 - PP grill	150 x 150	6		06099*
with double flap valve	150 x 150	6		06103
outlet: ø 75 - Stainless steel* grill	150 x 150	6		06088*
outlet: ø 110 - Stainless steel* grill	150 x 150	6		06100*
with double flap valve	150 x 150	6		06104

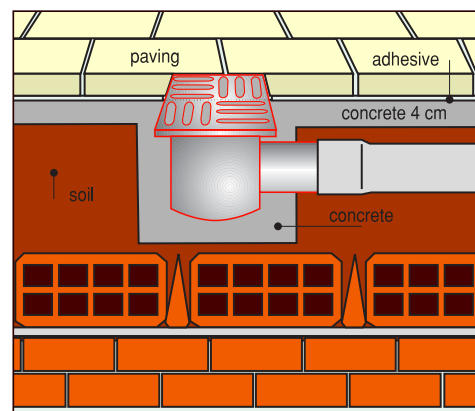


*Stainless steel type AISI 304

TECHNICAL SPECIFICATIONS



a	h	Ø	ref.
150	168	75	06087
150	168	110	06099
150	168	-	06103
150	168	75	06088
150	168	110	06100
150	168	-	06104



APPLICATION

MATERIAL PP - GREY RAL 7035

FLOOR DRAINS



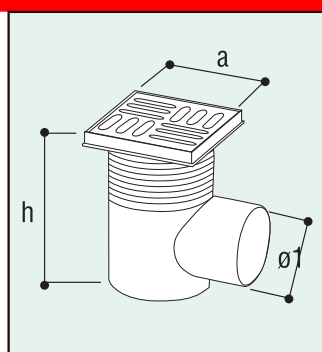
floor drain outlet with adjustable riser

NOTES	DIM.	PACK	EURO	REF.
outlet: \varnothing 75 - PP grill	150 x 150	6		06089
outlet: \varnothing 110 - PP grill	150 x 150	6		06101
with double flap valve	150 x 150	6		06105
outlet: \varnothing 75 - Stainless steel* grill	150 x 150	6		06090
outlet: \varnothing 110 - Stainless steel* grill	150 x 150	6		06102
with double flap valve	150 x 150	6		06106

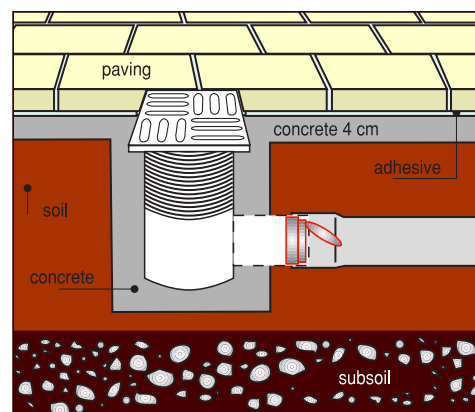
*Stainless steel type AISI 304



TECHNICAL SPECIFICATIONS



a	h	Ø	ref.
150	257	75	06089
150	257	110	06101
150	257	-	06105
150	257	75	06090
150	257	110	06102
150	257	-	06106



APPLICATION

HIGH DRAINAGE TRAP

upper rotatable rising →

trap →

trap basket →

body →



MATERIAL PP - GREY RAL 7035

FLOOR DRAINS



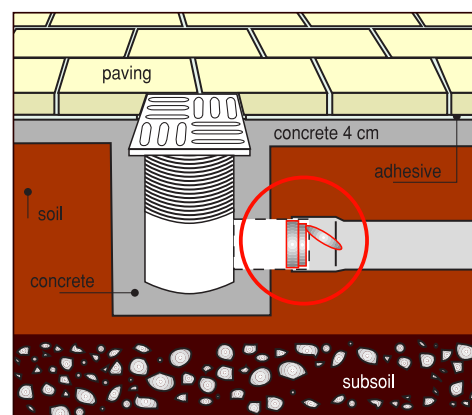
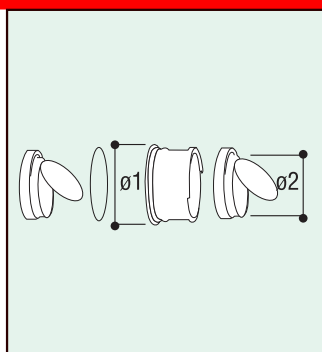
double flap valve Ø 110

NOTES	DIM.	PACK	EURO	REF.
external diameter: \varnothing 103 internal diameter: \varnothing 70	110	6		06123



TECHNICAL SPECIFICATIONS

$\varnothing 1$	$\varnothing 2$	ref.
103	70	06123



APPLICATION

floor drain outlet with inlet Ø 75 and adjustable height

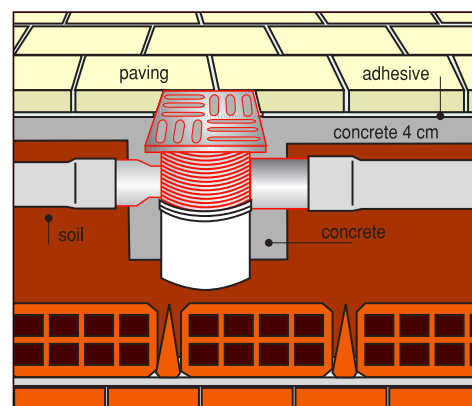
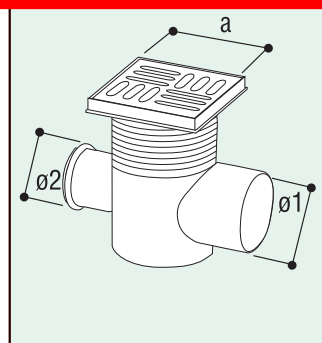
NOTES	DIM.	PACK	EURO	REF.
outlet: \varnothing 75 - PP grill	150 x 150	6		06093
outlet: \varnothing 110 - PP grill	150 x 150	6		06097
outlet: \varnothing 75 - Stainless steel* grill	150 x 150	6		06094
outlet: \varnothing 110 - Stainless steel* grill	150 x 150	6		06098

*Stainless steel type AISI 304



TECHNICAL SPECIFICATIONS

a	$\varnothing 1$	$\varnothing 2$	ref.
150	75	75	06093
150	110	75	06097
150	75	75	06094
150	110	75	06098



APPLICATION

MATERIAL PP - GREY RAL 7035

FLOOR DRAINS

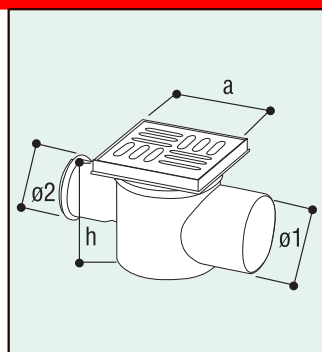
floor drain outlet (low) with inlet \varnothing 75

NOTES	DIM.	PACK	EURO	REF.
outlet: \varnothing 75 - PP grill	150 x 150	6		06091
outlet: \varnothing 110 - PP grill	150 x 150	6		06095
outlet: \varnothing 75 - Stainless steel* grill	150 x 150	6		06092
outlet: \varnothing 110 - Stainless steel* grill	150 x 150	6		06096

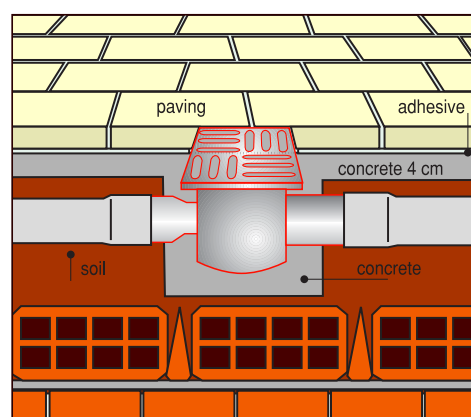
*Stainless steel type AISI 304



TECHNICAL SPECIFICATIONS



a	h	Ø1	Ø2	ref.
150	168	75	75	06091
150	168	110	75	06095
150	168	75	75	06092
150	168	110	75	06096



APPLICATION