



FIX IT



Fastening systems for towel rails radiators

The Verona Arena is a Roman amphitheatre in Piazza Bra in Verona, Italy built in the first century. It is one of the best preserved ancient structures of its kind. In ancient times, the arena's capacity was nearly 30,000 people.



FIX IT



Fastening systems for multicolumn radiators

Villa "La Rotonda" is a Renaissance villa just outside Vicenza in northern Italy designed by Italian Renaissance architect Andrea Palladio. The villa's correct name is Villa Almerico Capra Valmarana.



FIX IT



Fastening systems for aluminum radiators

Venezia was historically the capital of the Republic of Venice for a millennium and more. Venice has been known as "La Dominante", "La Serenissima" and "Queen of the Adriatic".



FIX IT



Fastening systems for panel radiators and convectors

The Pala group (Italian: Pale di San Martino, Dolomiti delle Pale or Gruppo delle Pale) is a mountain range in the Dolomites, in the eastern Trentino and part of the province of Belluno, northern Italy. They cover an area of c. 240 km².



FIX IT



United Nations
Educational, Scientific and
Cultural Organization



Fastening systems for towel rails radiators

The Verona Arena is a Roman amphitheatre in Piazza Bra in Verona, Italy built in the first century. It is one of the best preserved ancient structures of its kind. In ancient times, the arena's capacity was nearly 30,000 people.

Запитуйте продукцію MB Fix в магазинах Півдюйма | www.pivduyma.ua



FIX IT

BRACKETS READY FOR INSTALLATION

Two ready-to-install floor brackets for decorative double flat tube radiators, vertical and horizontal mounting, for finished floor configuration.

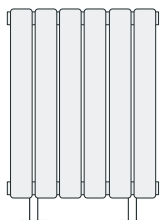


60790030

2x PGF 35-38

1

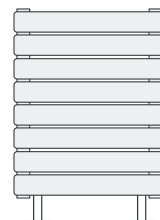
300



PGF
For vertical flat tubes

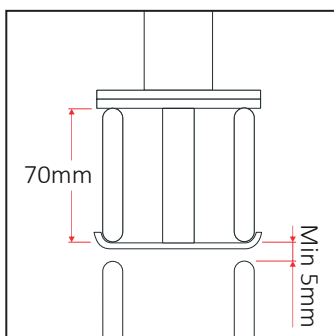


PGF
For horizontal flat tubes

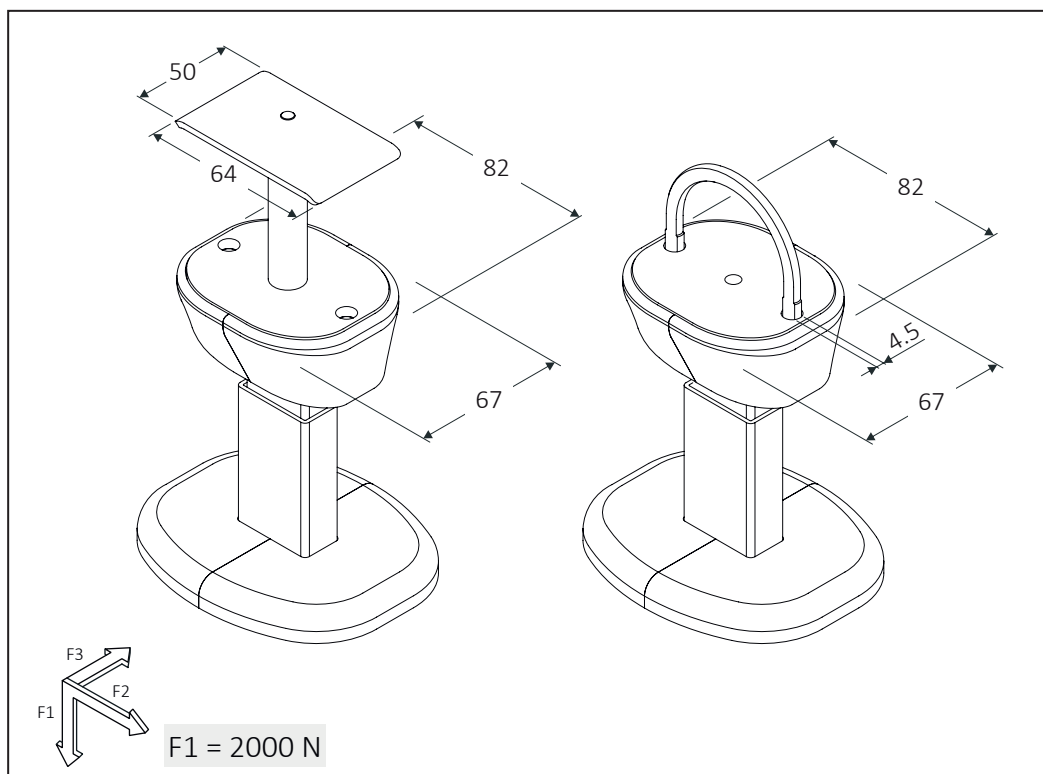
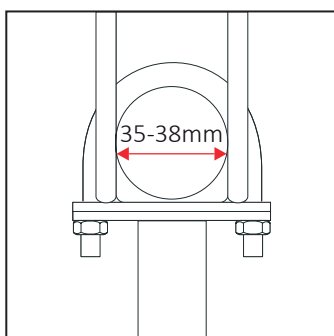


PGF for horizontal flat tubes

Measures are expressed in millimeters



PGF for vertical flat tubes



Запитуйте продукцію MB Fix в магазинах Півдьюма | www.pivduyma.ua

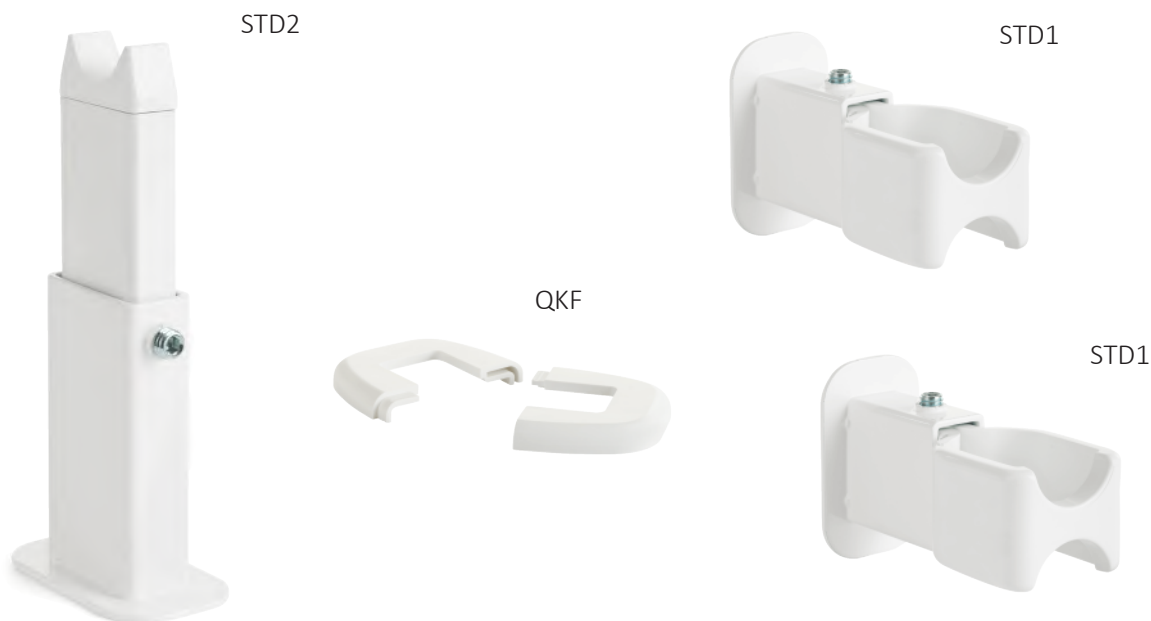


BRACKETS READY FOR INSTALLATION

Ready-to-install bracket kit for lateral fixing, consisting of: foot on the ground STD2 and wall fixing STD1. The last mentioned, specific for radiators with "D" 40x30 mm manifold.

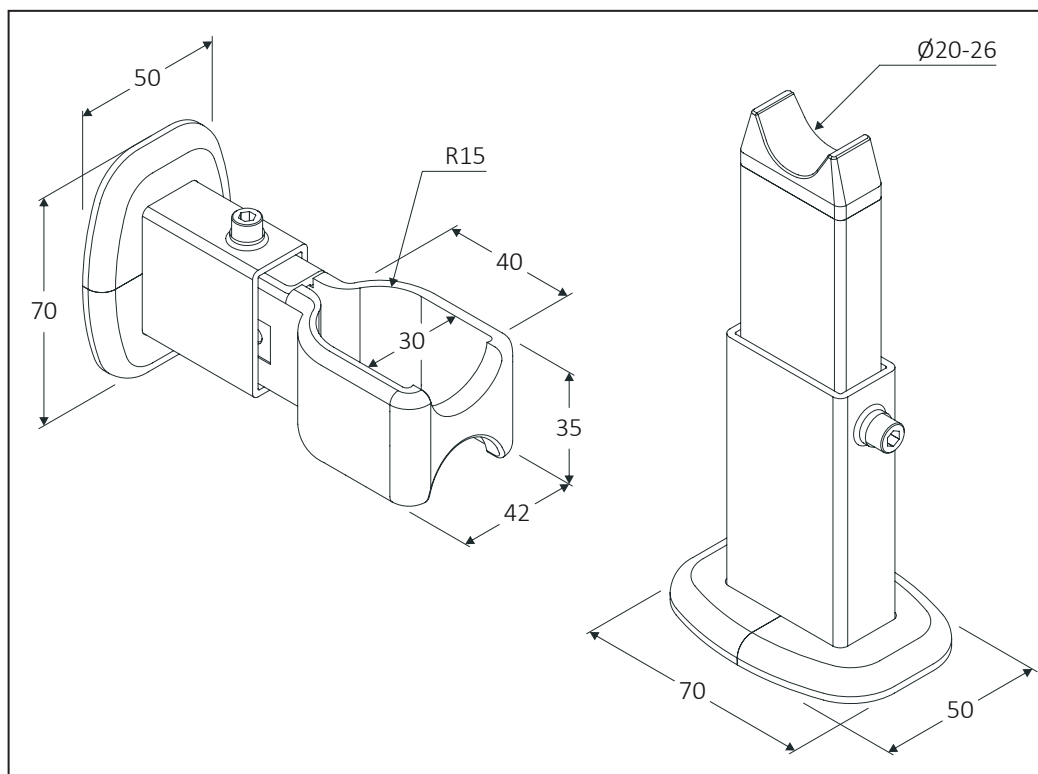
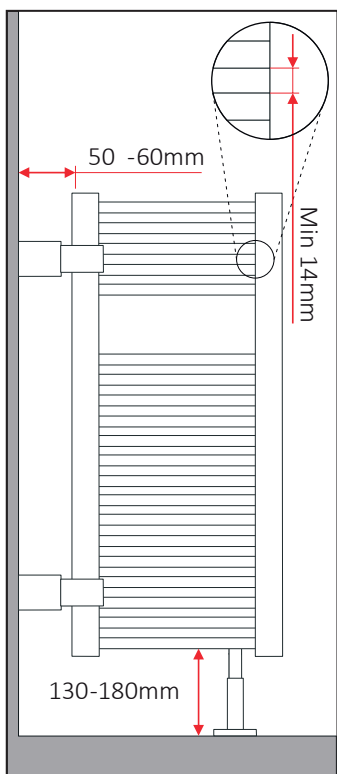


60400800	2x STD1 + 1x STD2 + 3x QKF		1	500
60401000	2x STD1 + 1x STD2 + 3x QKF		1	500



Regulations STD1 and STD2

Measures are expressed in millimeters



Запитуйте продукцію MB Fix в магазинах Півдьюма | www.pivduyma.ua



BRACKETS READY FOR INSTALLATION

Floor support brackets for bathroom radiators, white version.



60400816D

1x STD FISTONE

60

960



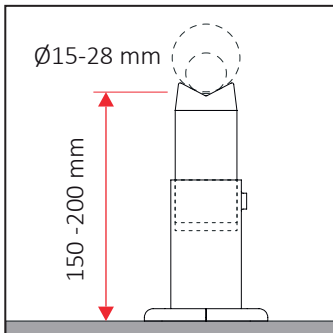
STD
Fistone
Regulation 1



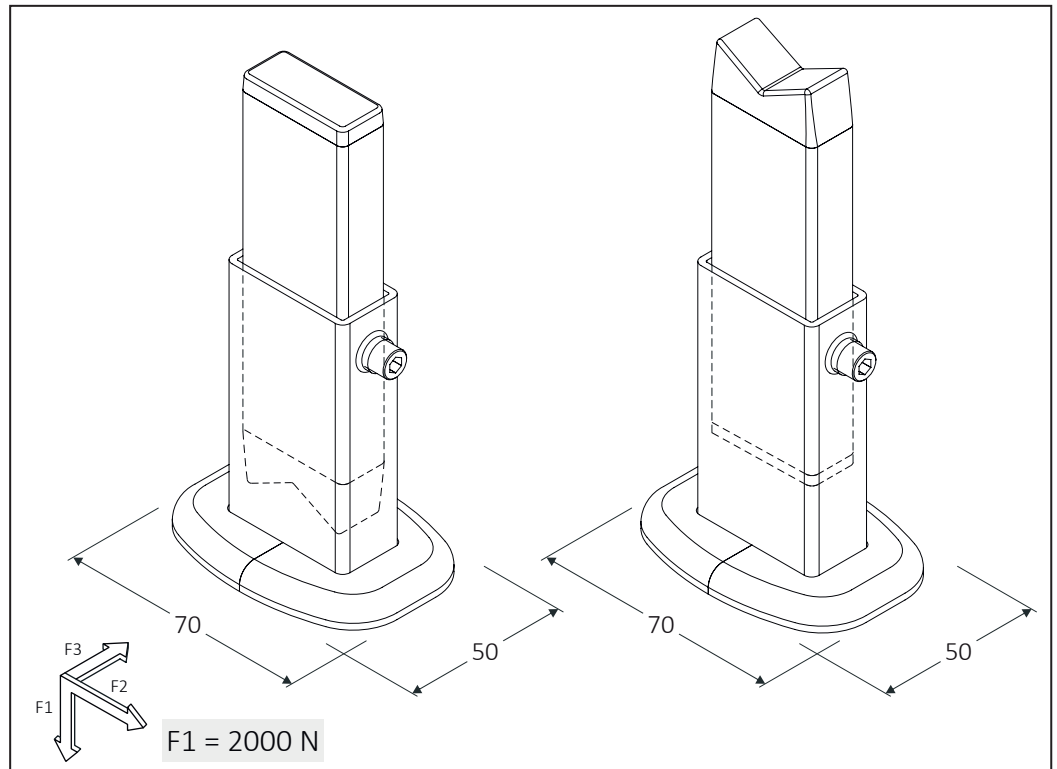
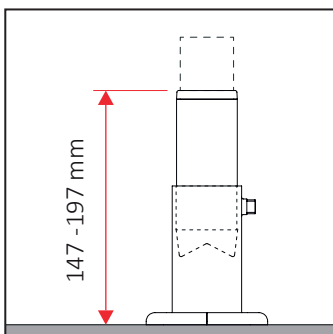
STD
Fistone
Regulation 2

Regulation 1

Measures are expressed in millimeters



Regulation 2



Запитуйте продукцію MB Fix в магазинах Півдьюма | www.pivduyma.ua



WALL BRACKETS

Ready-to-install wall brackets for bathroom radiators, available in versions with straight and curved tubes. For tubes with diameter 16-25 mm and center distance 28-42 mm.



60213900S	3x STN			AK3	90	1080
60224900S	4x STN + 4x SR			AK3	60	720
60213800S	3x STN			AK3	90	1080
60224800S	4x STN + 4x SR			AK3	60	720
60213900SN	3x STN			AK3	90	1080
60224900SN	4x STN + 4x SR			AK3	60	720



STN
White

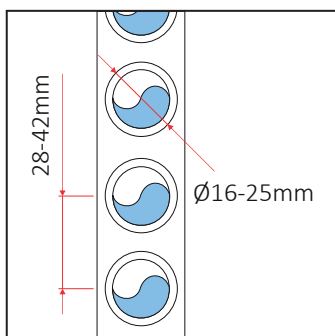


STN
Chrome

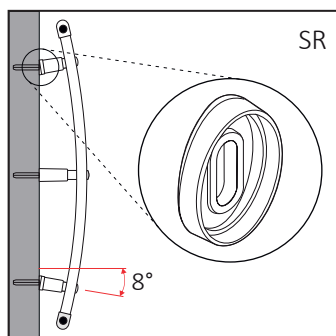


STN
Black

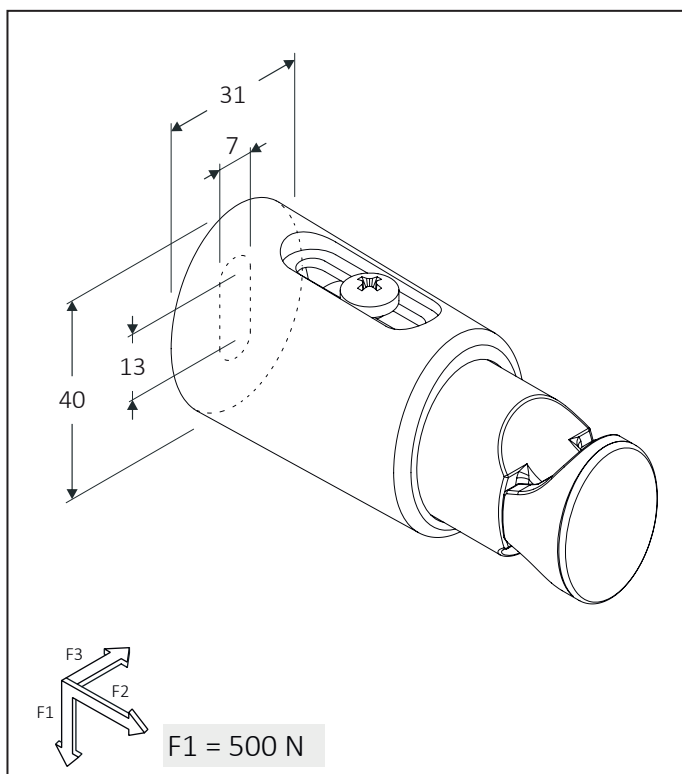
Dimensions towel radiator



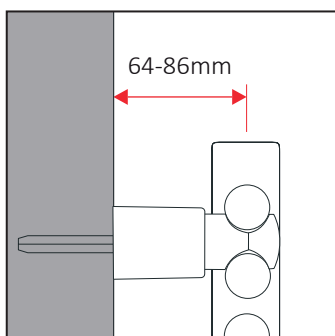
Adapter SR



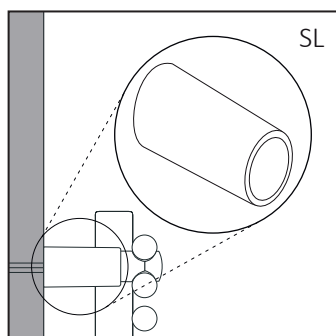
Measures are expressed in millimeters



Regulation STN



Extension SL



Запитуйте продукцію MB Fix в магазинах Півдьюма | www.pivduyma.ua



WALL BRACKETS

Ready-to-install wall brackets for bathroom radiators, available in versions with straight and curved tubes. For tubes with diameter 16-25 mm and center distance 30-46 mm.



60233100	3x STN-I			AK3	90	1080
60234120	4x STN-I + 4x SR			AK3	60	720
60233700	3x STN-I			AK3	90	1080
60234720	4x STN-I + 4x SR			AK3	60	720
60233100N	3x STN-I			AK3	90	1080
60234120N	4x STN-I + 4x SR			AK3	60	720



STN-I
White

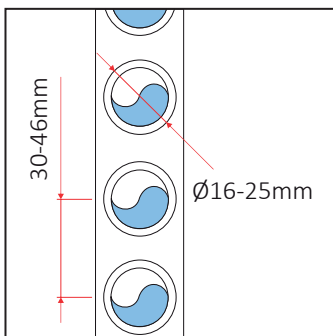


STN-I
Chrome

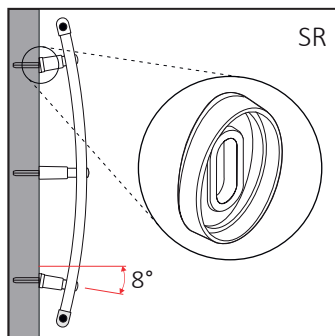


STN-I
Black

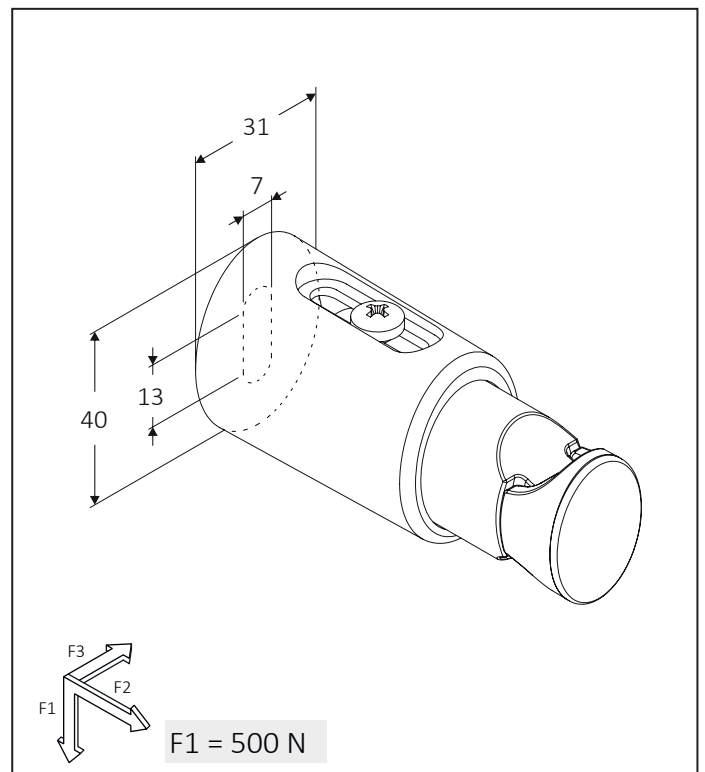
Dimensions towel radiator



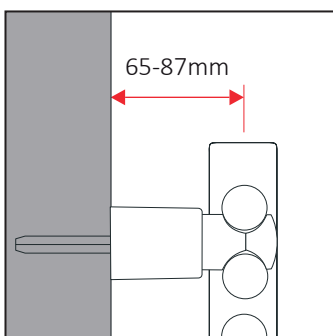
Adapter SR



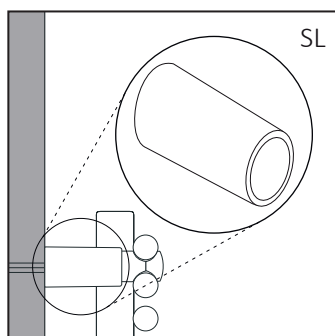
Measures are expressed in millimeters



Regulation STN-I



Extension SL



Запитуйте продукцію MB Fix в магазинах Півдьюма | www.pivduyma.ua



WALL BRACKETS

Ready-to-install wall brackets for bathroom radiators, available in versions with straight and curved tubes. For tubes with diameter 16-25 mm and center distance 36-48 mm.



60313600	3x STN-N			AK3	90	1080
60324600	4x STN-N + 4x SR			AK3	60	720
60313800	3x STN-N			AK3	90	1080
60324800	4x STN-N + 4x SR			AK3	60	720
60313600N	3x STN-N			AK3	90	1080
60324600N	4x STN-N + 4x SR			AK3	60	720



STN-N
White

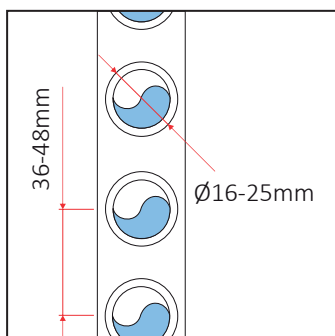


STN-N
Chrome

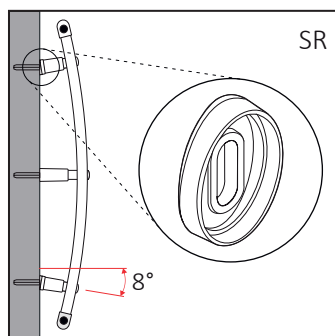


STN-N
Black

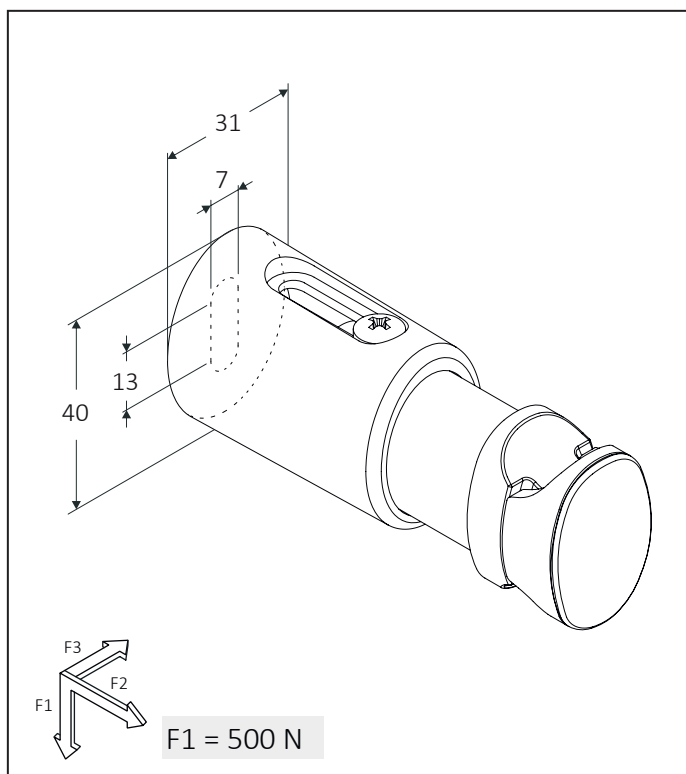
Dimensions towel radiator



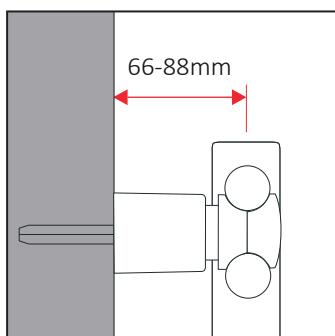
Adapter SR



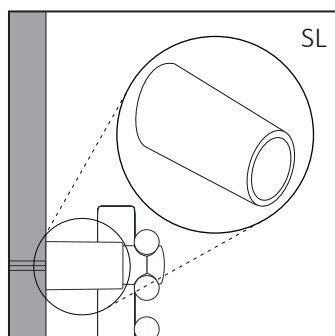
Measures are expressed in millimeters



Reulation STN-N



Extension SL



Запитуйте продукцію MB Fix в магазинах Півдьюма | www.pivduyma.ua



WALL BRACKETS

Ready-to-install clamp bracket for bathroom radiators with tube diameter 22-23-24-25, in white, chrome and transparent version, the last mentioned specifically for colored radiators. Available in straight and curved tube versions.



60210022	3x STF Ø 22		50	600
----------	-------------	--	----	-----

60214022	4x STF Ø 22		50	600
----------	-------------	--	----	-----

60210025	3x STF Ø 25		50	800
----------	-------------	--	----	-----

60214025	4x STF Ø 25		50	800
----------	-------------	--	----	-----



STF
White

PATENTED

60270022	3x STF Ø 22		50	600
----------	-------------	--	----	-----

60274322	4x STF Ø 22		50	600
----------	-------------	--	----	-----

60270025	3x STF Ø 25		50	800
----------	-------------	--	----	-----

60274325	4x STF Ø 25		50	800
----------	-------------	--	----	-----



STF
Metallized

PATENTED

60210122T	3x STF Ø 22		50	600
-----------	-------------	--	----	-----

60214022T	4x STF Ø 22		50	600
-----------	-------------	--	----	-----

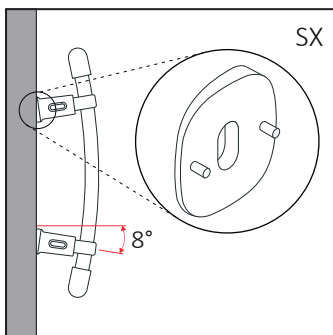
60210125T	3x STF Ø 25		50	800
-----------	-------------	--	----	-----

60214025T	4x STF Ø 25		50	800
-----------	-------------	--	----	-----

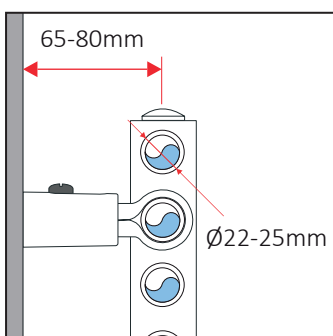


STF
Trasparent

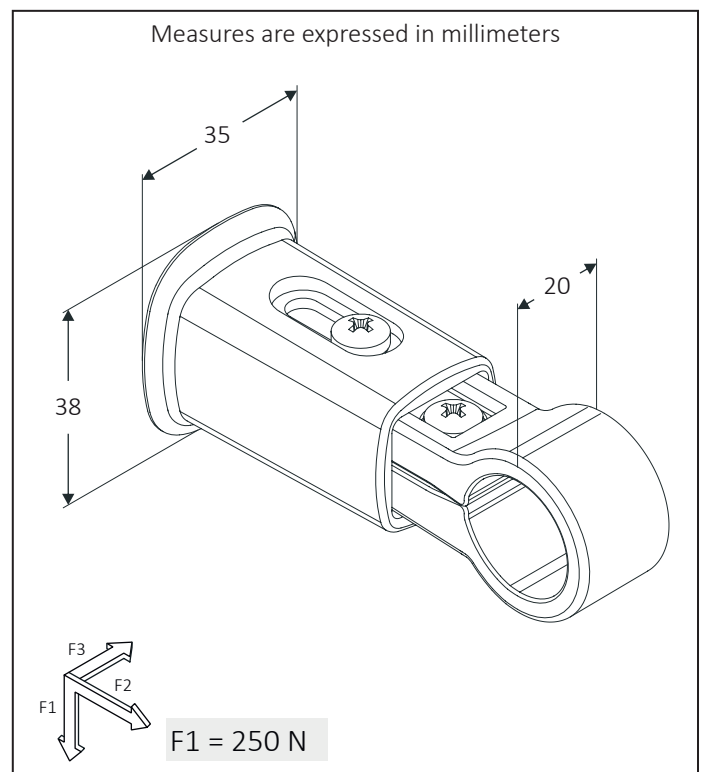
PATENTED



Regulation STF



Assembly instructions



Запитуйте продукцію MB Fix в магазинах Півдьюма | www.pivduyma.ua



WALL BRACKETS

Ready-to-install wall brackets for flat-tube decorative radiators, available for the single-tube version.



60403000	3x STP		70	840
60404000	4x STP		50	800
60473000	3x STP		70	840
60474000	4x STP		50	800



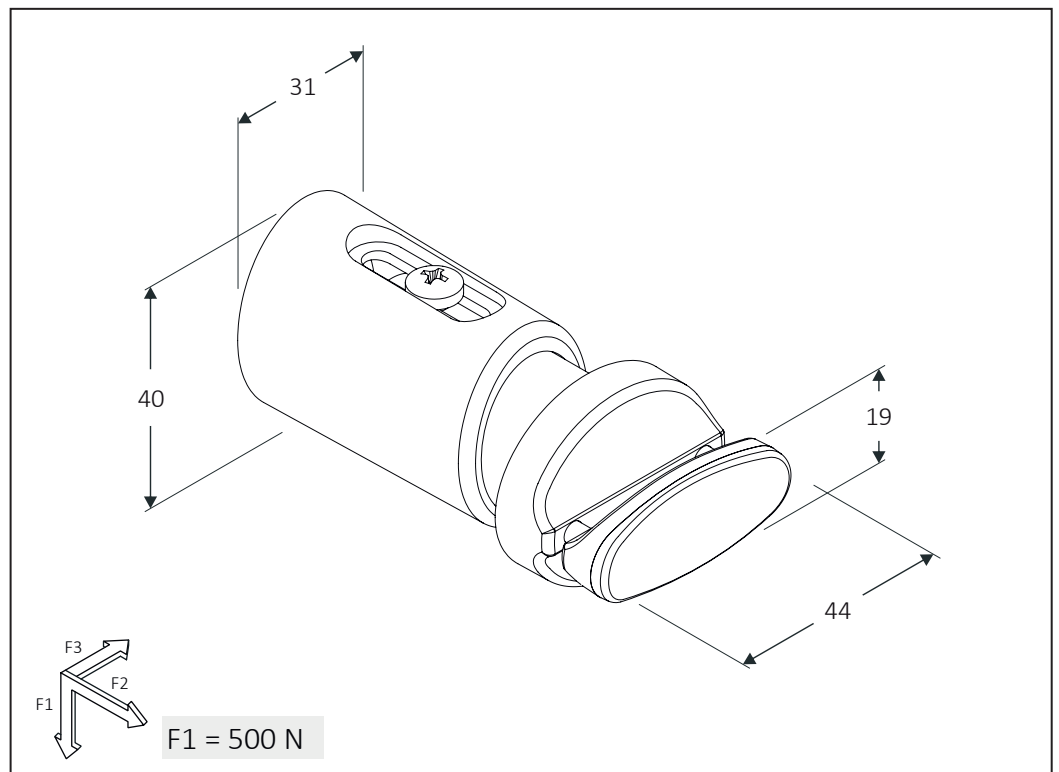
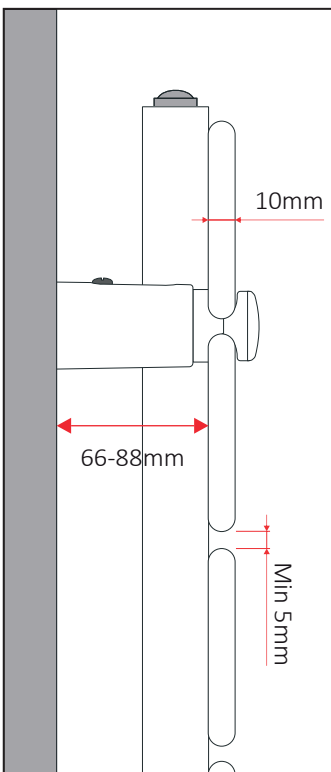
STP
White



STP
Chrome

Regulation STP

Measures are expressed in millimeters



Запитуйте продукцію MB Fix в магазинах Півдьюма | www.pivduyma.ua



WALL BRACKETS

Brackets for quick wall installation of bathroom radiators with support, possibility of distance adjustment from the wall, white insulators included- galvanized version.



60210171	2x EN1	50	2750
60210180	2x G1	50	2750
60210171R	4x EN1R	50	2750



EN1

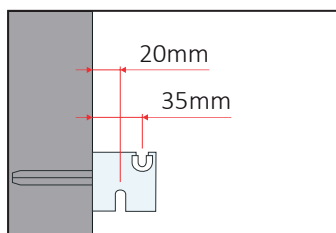


G1

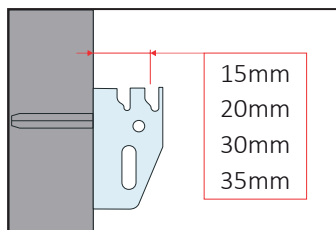


EN1R

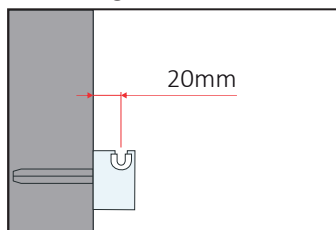
Regulation EN1



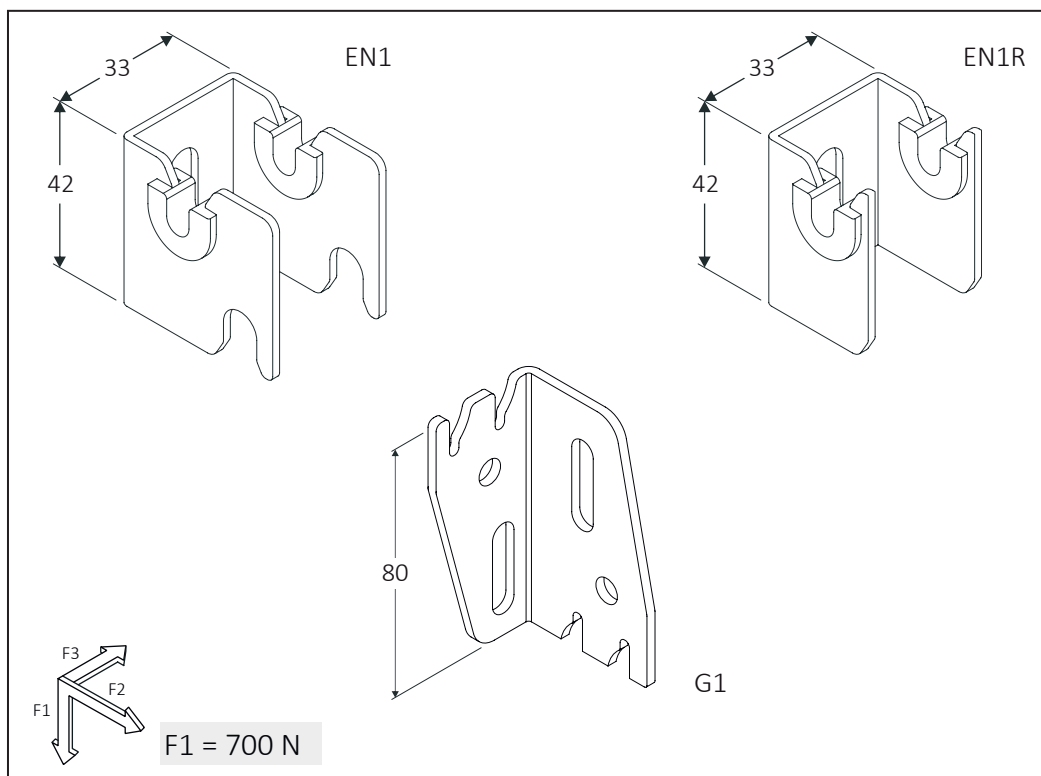
Regulation G1



Regulation EN1R



Measures are expressed in millimeters



Запитуйте продукцію MB Fix в магазинах Півдьюма | www.pivduyma.ua



Запитуйте продукцію MB Fix в магазинах Півдюйма | www.pivduyma.ua





WE THINK THAT EVERY PROBLEM CAN BE SOLVED
WITH A TOUCH OF CREATIVITY

MB FIX SRL SB - VIA MADONNA NERA 2/B
I - 31030 BORSO DEL GRAPPA (TV)

marketing@mb-fix.it

Ph. +39 0423 913800

Fx. +39 0423 542188

Запитуйте продукцію MB Fix в магазинах Півдюйма | www.pivduyma.ua



United Nations
Educational, Scientific and
Cultural Organization



World
Heritage
Convention



Fastening systems for aluminum radiators

Venezia was historically the capital of the Republic of Venice for a millennium and more. Venice has been known as “La Dominante”, “La Serenissima” and “Queen of the Adriatic”.

Запитуйте продукцію MB Fix в магазинах Півдюйма | www.pivduyma.ua



FIX IT

BRACKETS READY FOR INSTALLATION

Two ready-to-install floor brackets for aluminum radiators, including **QKP** base cover in white ABS, suitable for installation on different manifold diameters, from 40 mm to 45 mm. Configuration for finished floor.



60721544

2x PAL + 2x QKP



AK2

1

300



PAL

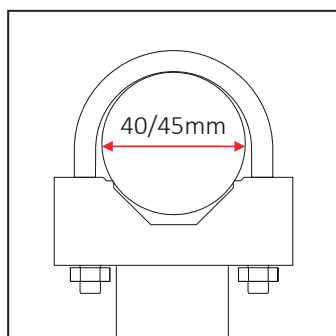
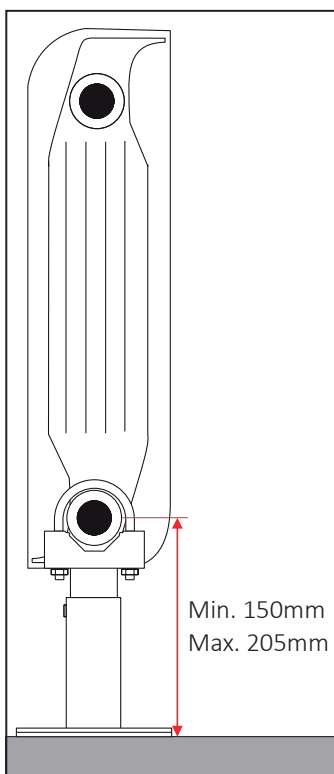
For finished floor

QKP

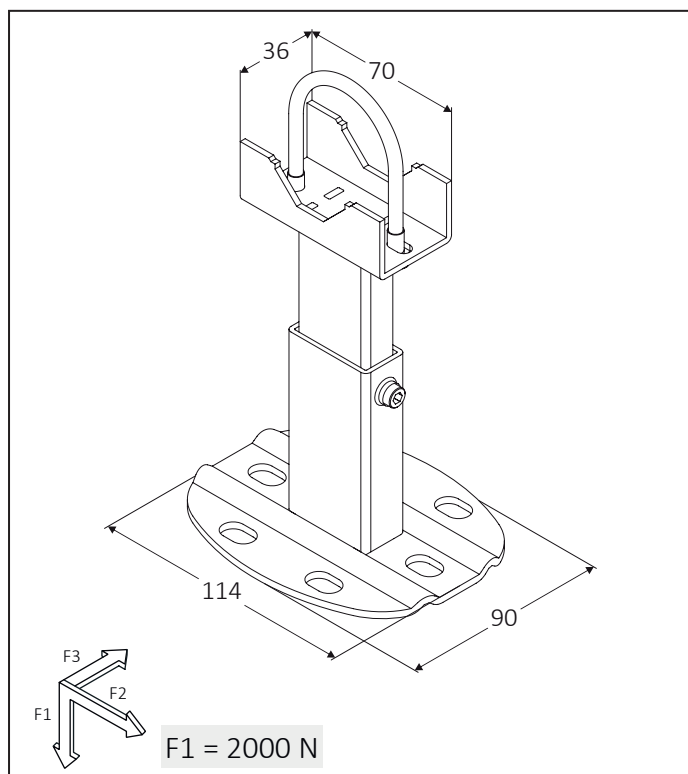
PAL for finished floor

Manifold dimensions

Measures are expressed in millimeters



Assembly instructions



Запитуйте продукцію MB Fix в магазинах Півдьюма | www.pivduyma.ua



COVERS AND EXTENSIONS

VL: 10 cm extension for all ready-to-install floor brackets. **QKR:** tube-cover in white ABS, for all ready-to-install floor brackets, configuration for raw or finished floor. **QKP:** base-cover in white ABS, supplied with all ready-to-install floor brackets.



60740004	1x VL (+ 10cm)	50	1050
60705024	2x QKR	25	2000
60705020	1x QKP	20	3000



VL

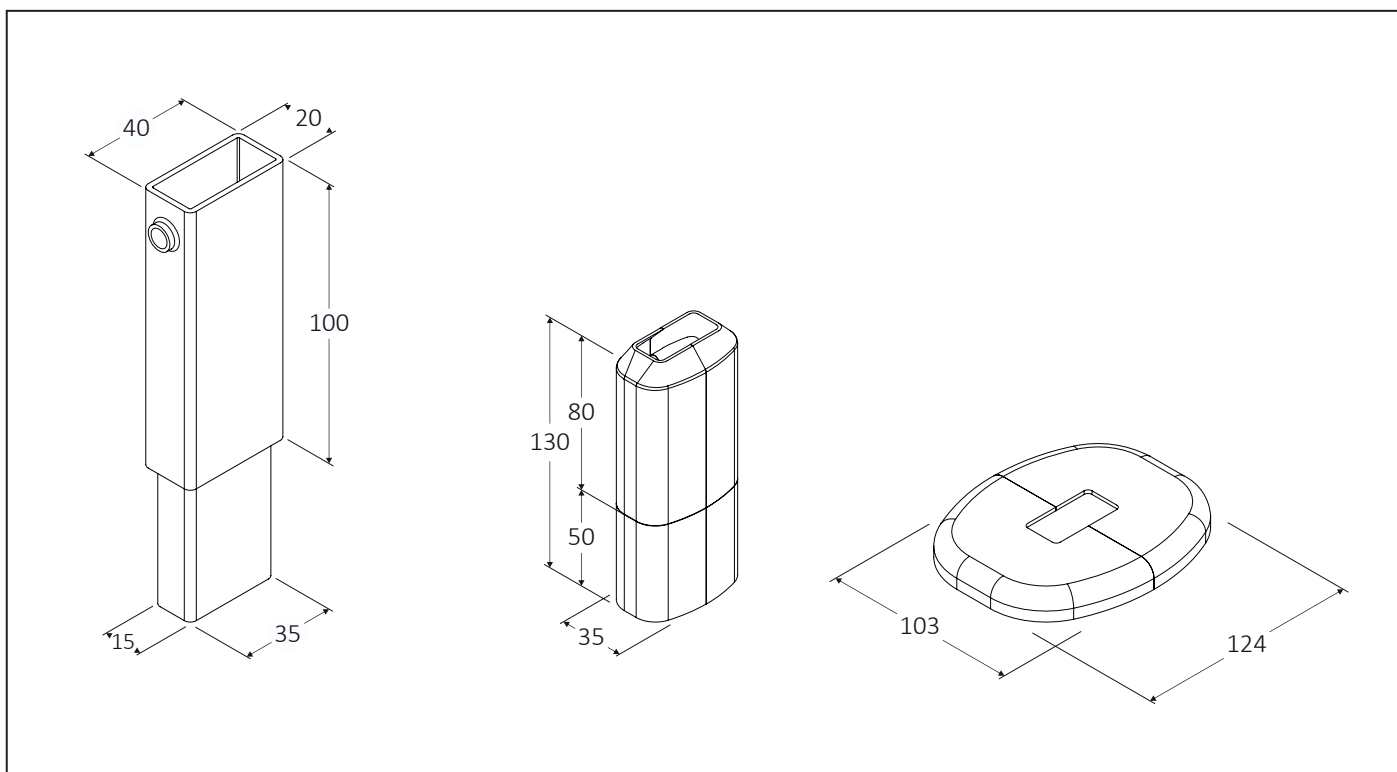


QKR



QKP

Measures are expressed in millimeters



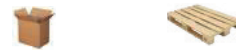
Запитуйте продукцію MB Fix в магазинах Півдьюма | www.pivduyma.ua



WALL RAIL BRACKETS

Quick-attach wall bracket with integrated anti-release mechanism. Suitable for the installation of aluminum radiators with a manifold diameter between 40 mm to 45 mm.

Code	Description	VDI 6036 KONFORM	AK2	Weight (kg)	Length (mm)
60851350	2x GBA H 350		AK2	50	600
60851500	2x GBA H 500		AK2	25	500
60851600	2x GBA H 600		AK2	25	500
60851700	2x GBA H 700		AK2	25	300
60851800	2x GBA H 800		AK2	25	300
60851000	DIMA GBA			150	2400

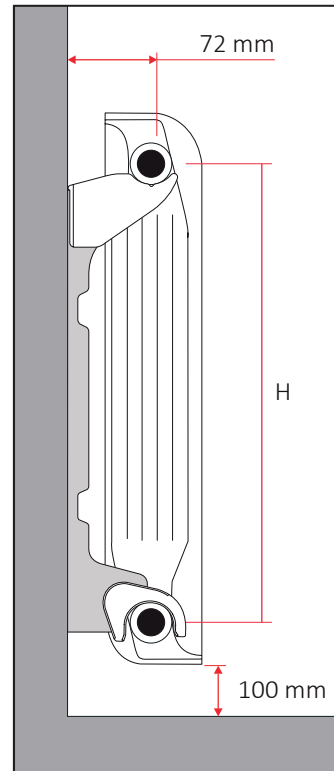
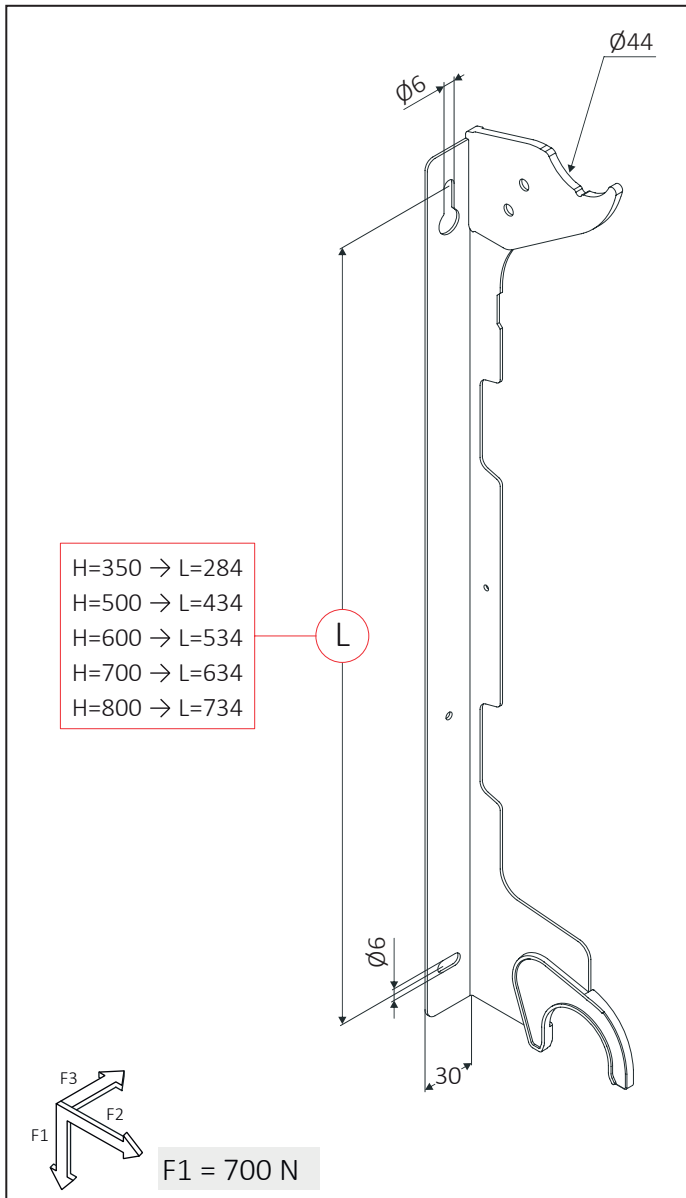


GBA

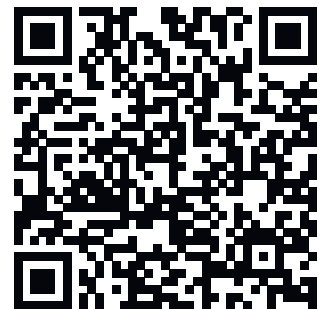
PATENTED

Measures are expressed in millimeters

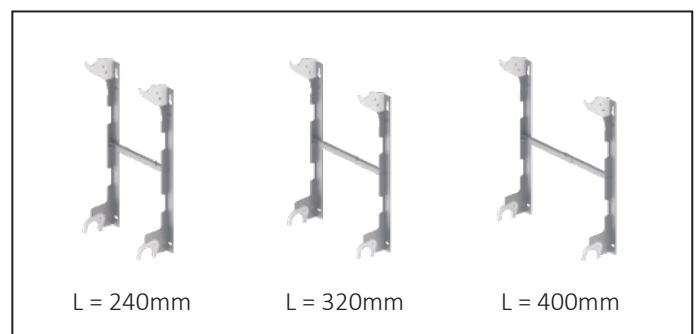
Distance GBA



Assembly instructions



Adjustments DIMA GBA




Запитуйте продукцію MB Fix в магазинах Півдьюма | www.pivduyma.ua



WALL BRACKETS

Wall bracket with large vertical adjustment, suitable for quick installation of aluminum radiators, supplied with **QKT4** cover in white ABS and plastic insulator.



60210267	2x T4		50	2000
60705019	QKT4		50	7500
60210266	3x T4 + 2x QKT4	 AK2	60	1680

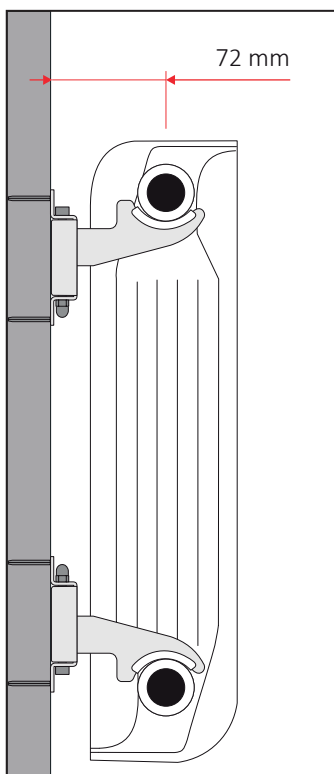


T4

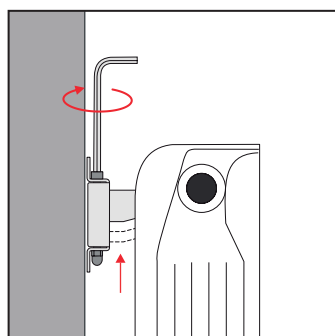


QKT4

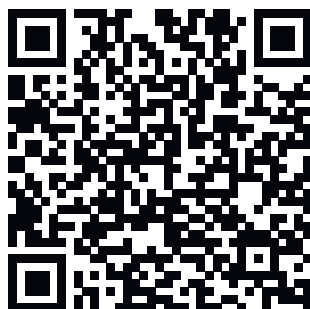
Distance T4



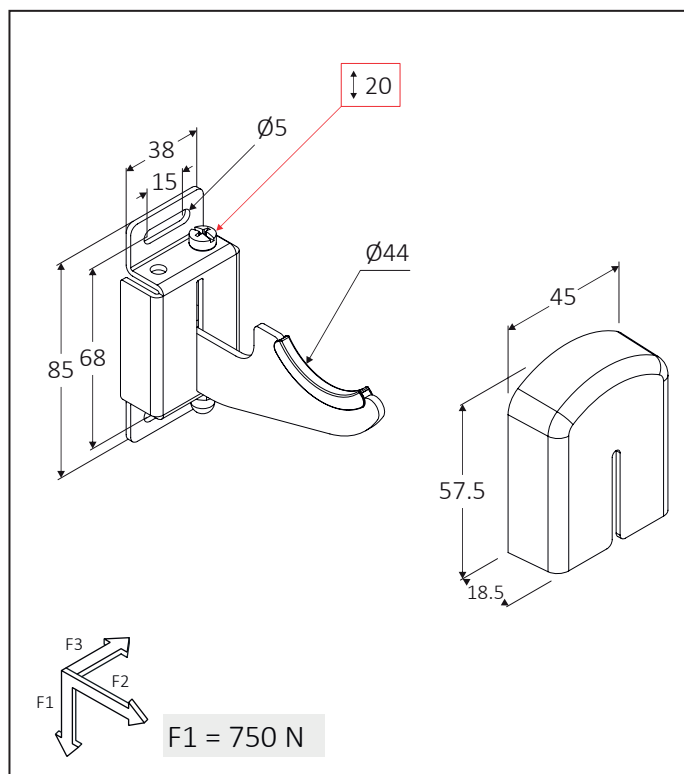
Adjustment T4



 Assembly instructions



Measures are expressed in millimeters



Запитуйте продукцію MB Fix в магазинах Півдьюма | www.pivduyma.ua



WALL BRACKETS

Wall bracket with vertical micro adjustment, suitable for quick installation of aluminum radiators, supplied with **QKT3** cover in white ABS and plastic insulator. White plastic **NA** spacer available as a spare part.



60210163	2x T3	50	3300
60705018	QKT3	100	11000
60210263	2x T3 + 2x QKT3	50	2500
60020245	NA	100	7500



T3



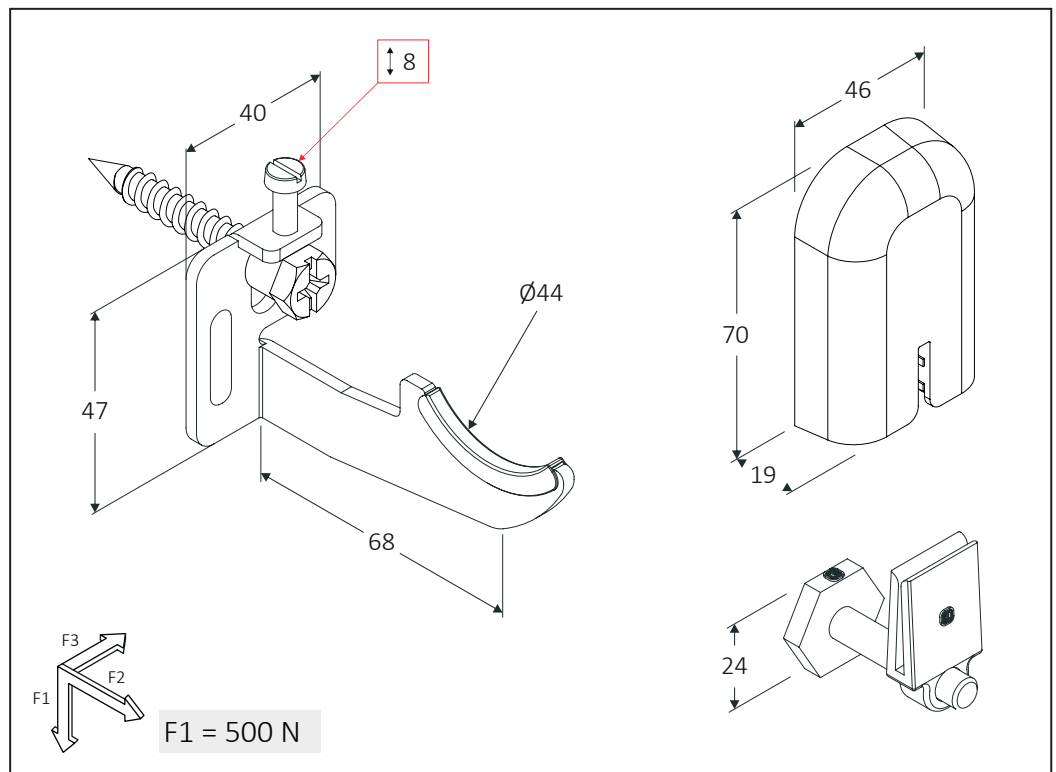
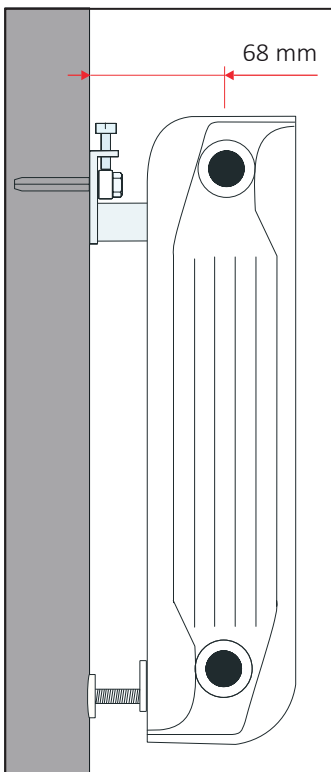
QKT3



NA

Distance T3

Measures are expressed in millimeters



Запитуйте продукцію MB Fix в магазинах Півдьюма | www.pivduyma.ua

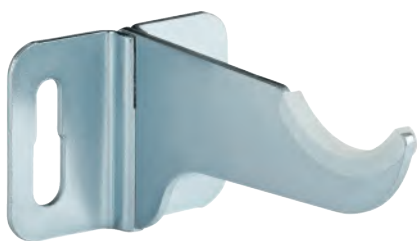


WALL BRACKETS

Wall bracket suitable for quick installation of aluminum radiators, supplied with **QKT** cover in white ABS and plastic insulator. White plastic **NA** spacer available as a spare part.



60210162	2x T1 L = 79.5	50	2750
60705027	QKT	100	15000
60210262	2x T1 L = 79.5 + 2x QKT	50	2500
60020245	NA	100	7500



T1



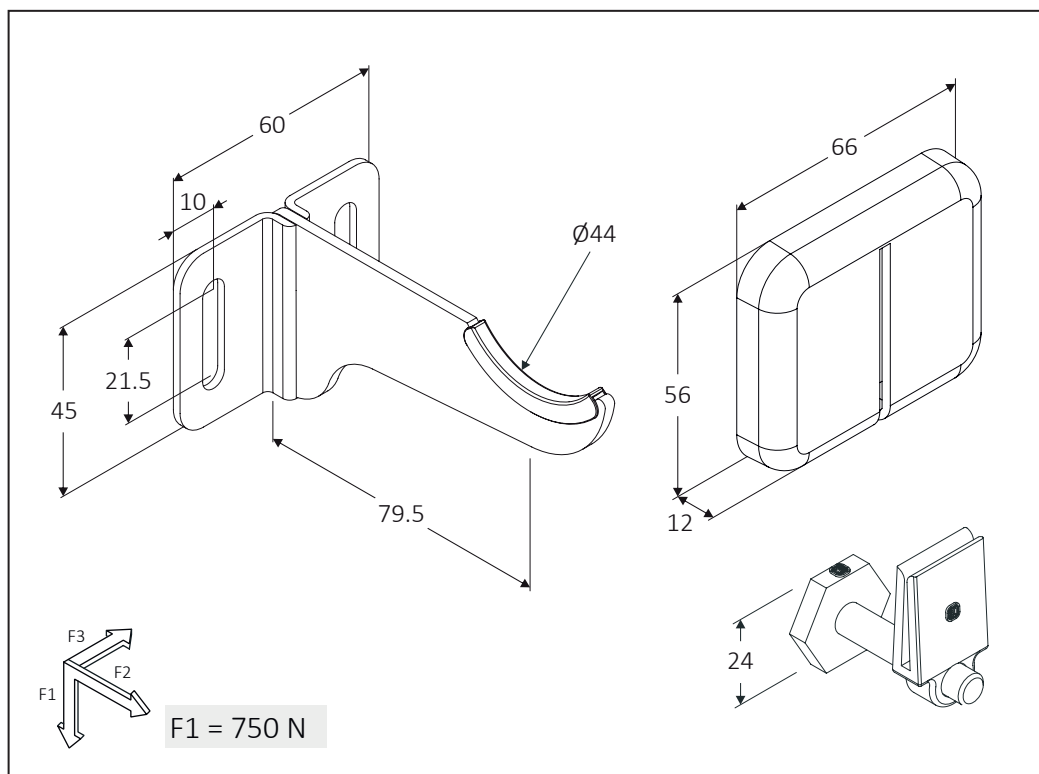
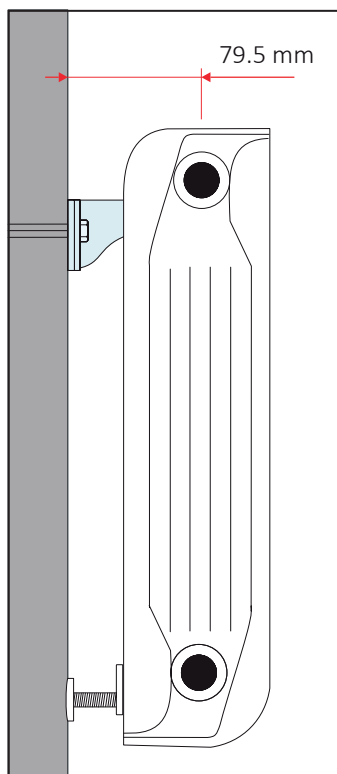
QKT



NA

Distance T1

Measures are expressed in millimeters



Запитуйте продукцію MB Fix в магазинах Півдьюма | www.pivduyma.ua





WE THINK THAT EVERY PROBLEM CAN BE SOLVED WITH
A TOUCH OF CREATIVITY

MB FIX SRL SB - VIA MADONNA NERA 2/B
I - 31030 BORSO DEL GRAPPA (TV)

marketing@mb-fix.it

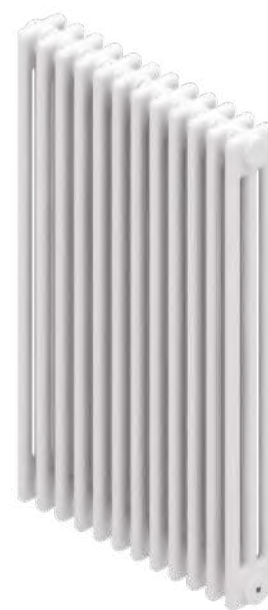
Ph. +39 0423 913800

Fx. +39 0423 542188

Запитуйте продукцію MB Fix в магазинах Півдюйма | www.pivduyma.ua



United Nations
Educational, Scientific and
Cultural Organization



Fastening systems for multicolumn radiators

Villa “La Rotonda” is a Renaissance villa just outside Vicenza in northern Italy designed by Italian Renaissance architect Andrea Palladio. The villa’s correct name is Villa Almerico Capra Valmarana.

Запитуйте продукцію MB Fix в магазинах Півдюйма | www.pivduyma.ua



FIX IT

BRACKETS READY FOR INSTALLATION

Two ready-to-install floor brackets for tubular radiators with manifold diameter from 45 mm to 60 mm, including base cover **QKP/QKF** and cover **QKG**, both in white ABS. **PGT 60**: configuration for finished floor.

PGT-1 60: configuration for raw floor.



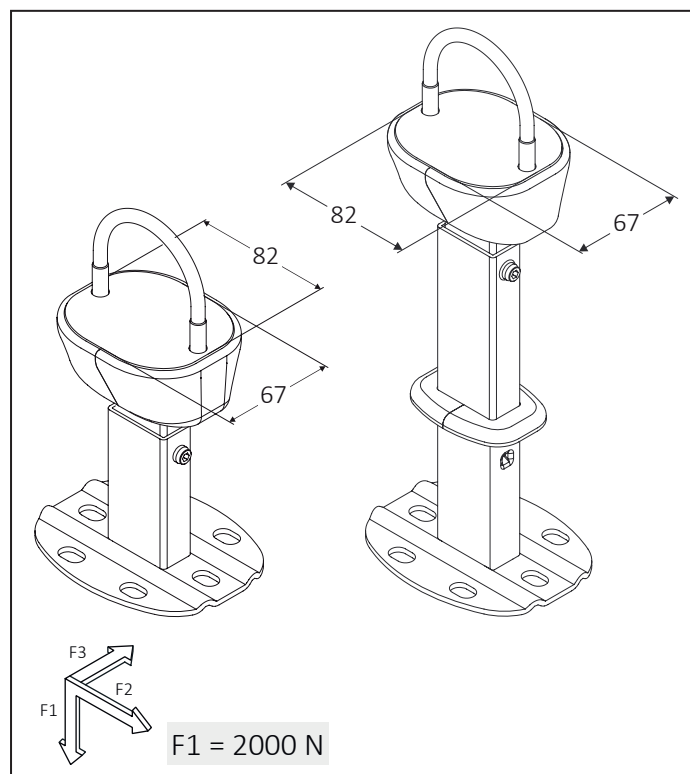
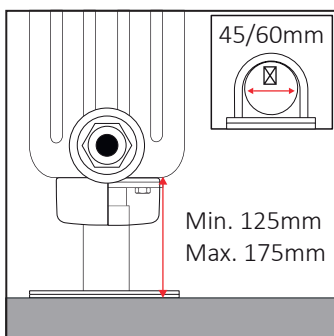
60791560	2x PGT 60 + 2x QKP	AK3	1	300
60791561	2x PGT-1 60 + 2x QKF	AK3	1	150

PGT-1 60
For raw floor



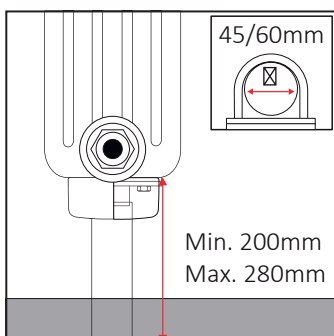
PGT 60 for finished floor

Measures are expressed in millimeters



PGT-1 60 for raw floor

Assembly instructions



Запитуйте продукцію MB Fix в магазинах Півдьюма | www.pivduyma.ua



COVERS AND EXTENSIONS

VL: 10 cm extension for all ready-to-install floor brackets. **QKR**: tube-cover in white ABS, for all ready-to-install floor brackets, configuration for raw or finished floor. **QKP** and **QKF**: base-cover in white ABS, supplied with all ready-to-install floor brackets.



60740004	1x VL (+10cm)	50	1050
60705024	2x QKR	25	2000
60705020	1x QKP	20	3000
60705022	1x QKF	20	4000



VL



QKR

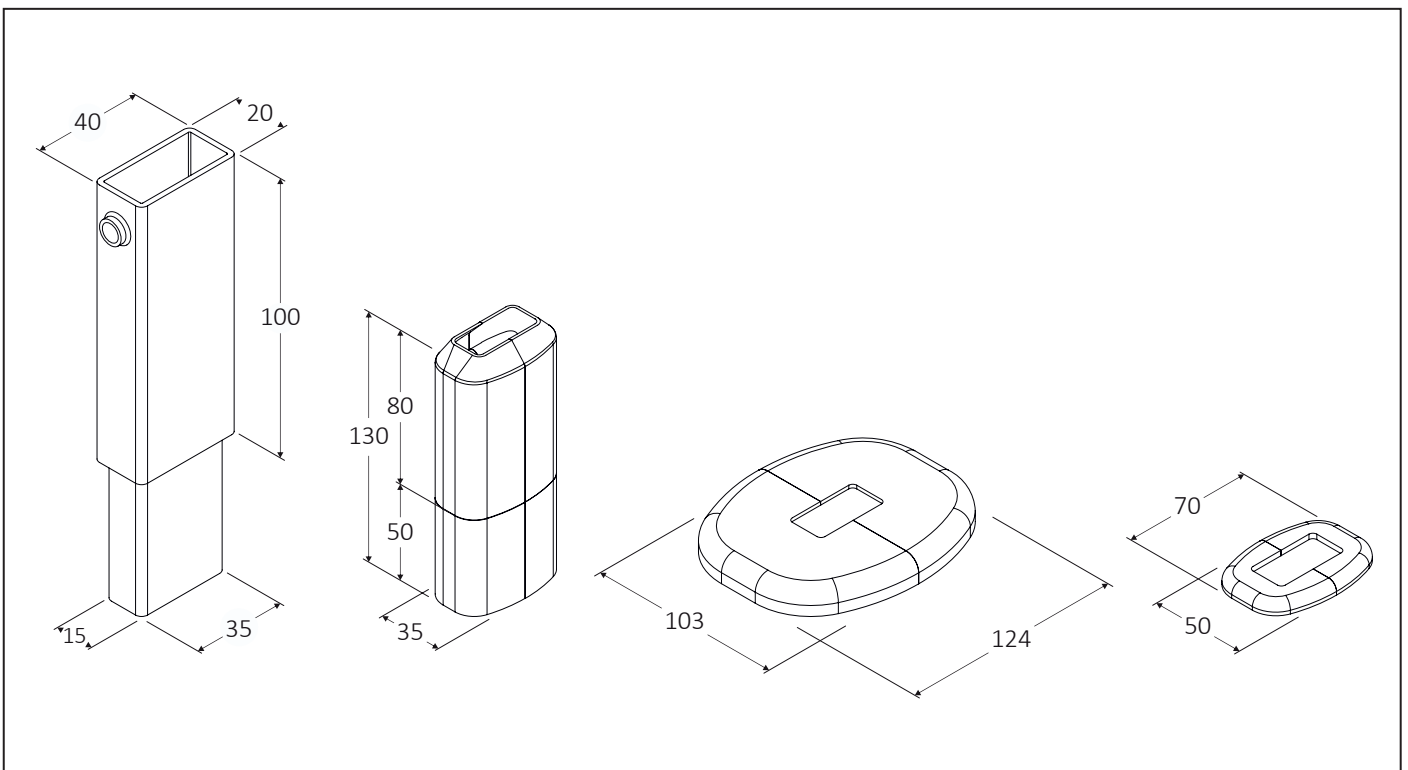


QKP



QKF

Measures are expressed in millimeters



Запитуйте продукцію MB Fix в магазинах Півдьюма | www.pivduyma.ua



BRACKETS READY FOR INSTALLATION

Two ready-to-install, self-supporting floor brackets for tubular radiators with 3 to 6 columns, including covers **QKE** in white ABS.

BEMM, IRSAP, RONDRA, ZEHNDER

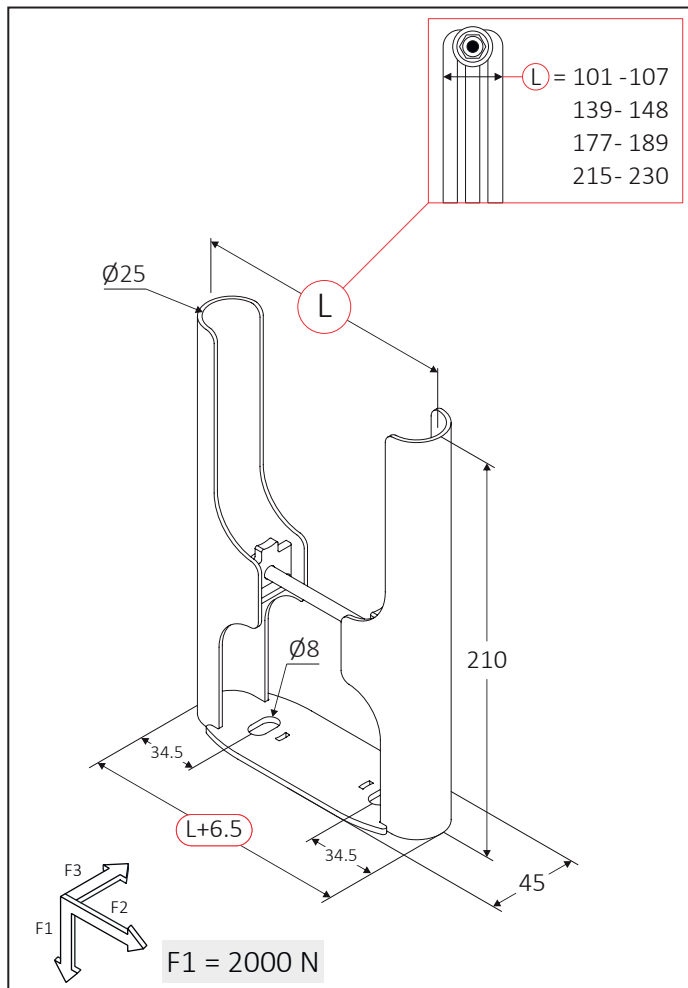


PGE
PATENTED

60770101	2x PGE 101		AK3		1	250
60770139	2x PGE 139		AK3		1	150
60770177	2x PGE 177		AK3		1	150
60770215	2x PGE 215		AK3		1	110
ARBONIA, CORDIVARI, DL RADIATORS, ERCOS, ZENITH						
60770107	2x PGE 107		AK3		1	250
60770148	2x PGE 148		AK3		1	150
60770189	2x PGE 189		AK3		1	150
60770230	2x PGE 230		AK3		1	110



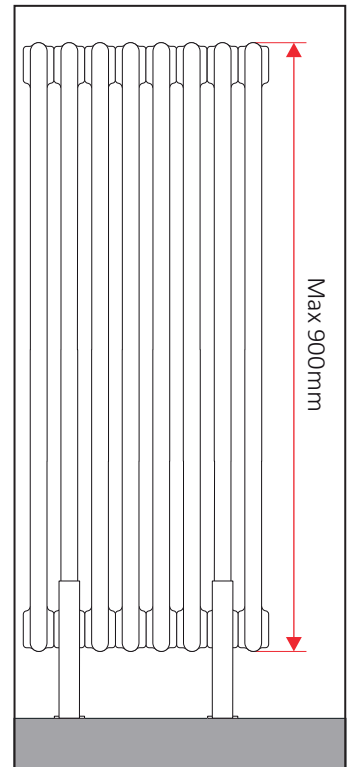
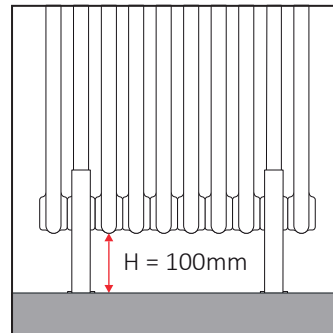
Measures are expressed in millimeters



QKE

Height PGE

Maximum height



Assembly instructions



Запитуйте продукцію MB Fix в магазинах Півдюйма | www.pivduyma.ua



BRACKETS READY FOR INSTALLATION

Two ready-to-install and adjustable floor brackets for approaching tubular radiators with 2 columns, 3 or 4 columns and 5 or 6 columns, set including inserts and key, white version.



60771001	2x PGE-M		1	300
60771002	2x PGE-M		1	150
60771003	2x PGE-M		1	150
60400600T	2x BG3			



PGE-M
From 3 to 6 columns

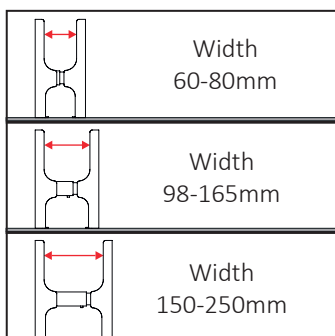


PGE-M
For 2 columns

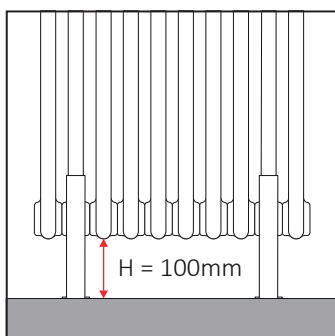


BG3

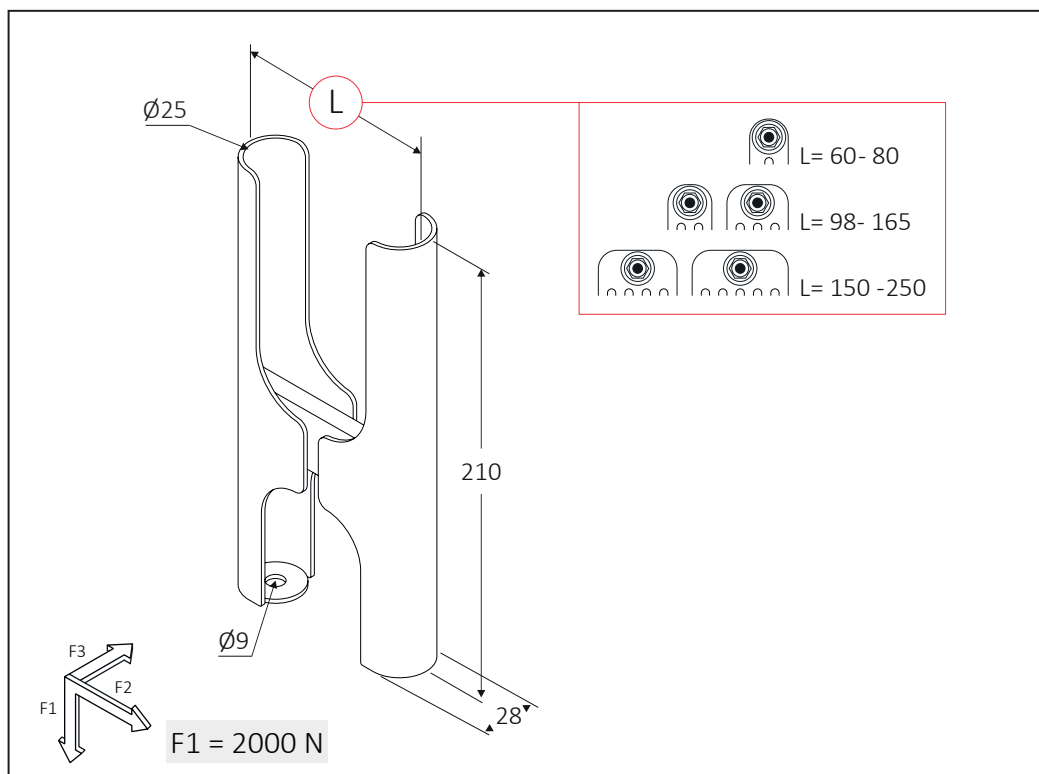
Widths PGE-M



Height PGE-M



Measures are expressed in millimeters



Запитуйте продукцію MB Fix в магазинах Півдьюма | www.pivduyma.ua



BRACKETS READY FOR INSTALLATION

Floor support bracket for tubular radiators, white version, including cover **QKF** in white ABS.



60400816D

1x STD + 1x QKF

60

960

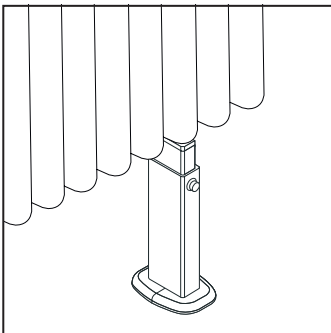


STD
Fistone

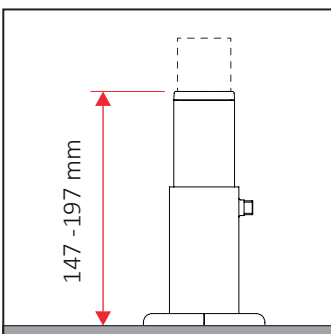


QKF

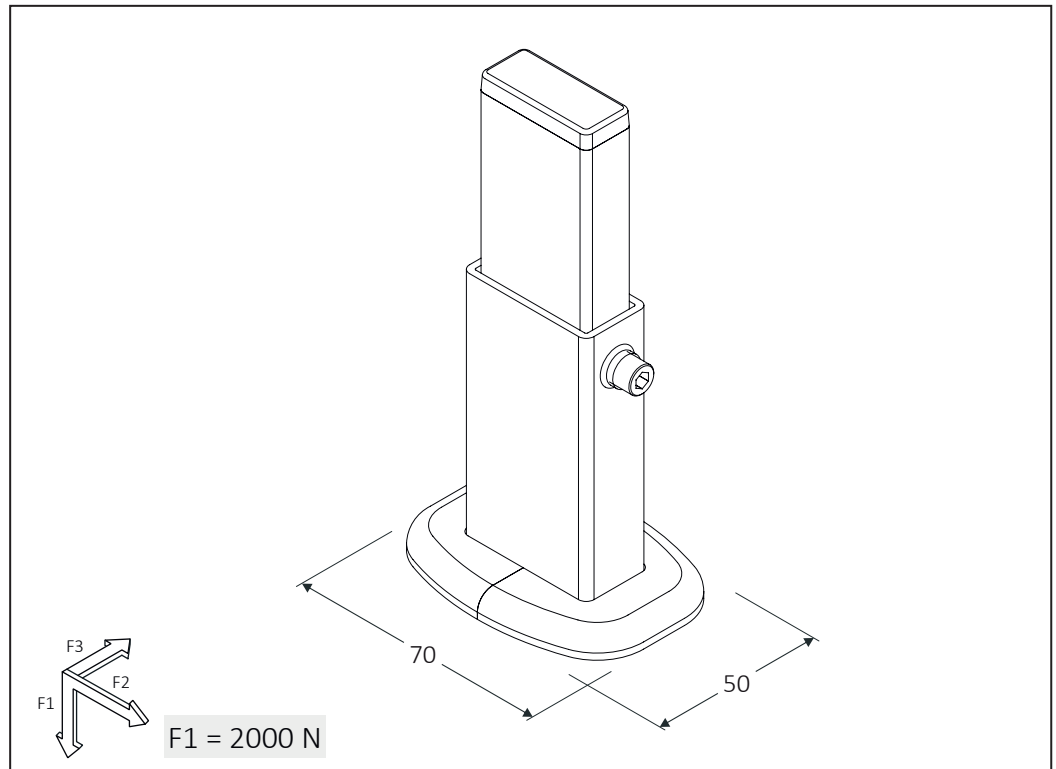
Support Fistone



Regulation Fistone



Measures are expressed in millimeters



Запитуйте продукцію MB Fix в магазинах Півдьюма | www.pivduyma.ua



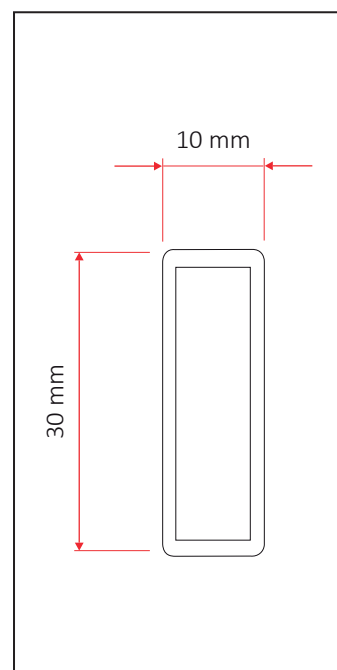
MODULAR BRACKETS

Rectangular section tube for floor bracket composition, for radiators with height from 300 to 1000 mm.

QT



60705046	QT 460 mm	25	1500
60705056	QT 560 mm	25	1500
60705066	QT 660 mm	25	1000
60705076	QT 760 mm	25	1000
60705086	QT 860 mm	25	1000
60705096	QT 960 mm	25	1000
60705106	QT 1060 mm	25	1000
60705116	QT 1160 mm	25	1000

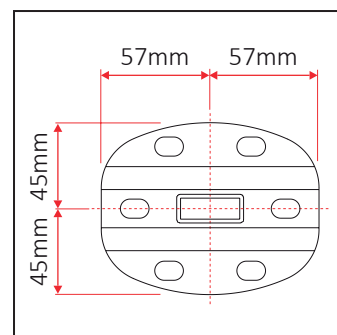


Base with central tube, for floor bracket composition, with rectangular tube model **QT**.

QB



60705000	QB	50	2500
60705012	QK	20	3000



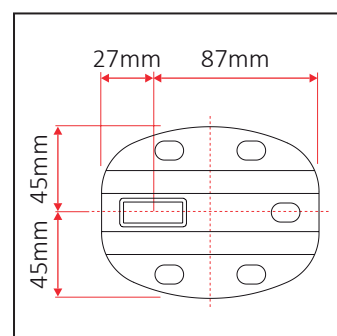
QK

Base with decentralized tube, for floor bracket composition, with rectangular tube model **QT**.

QBK



60705005	QBK	50	2500
60705013	QKX	20	4000



QKX

Запитуйте продукцію MB Fix в магазинах Півдюйма | www.pivduyma.ua



MODULAR BRACKETS

Kit of 4 elements for floor bracket composition, with rectangular section tube model **QT**, composed of: lower hook with plastic insulator **QG1**, retainer for radiator **QG2**, insulator **Q10** for rectangular tube and upper cap **Q9**.

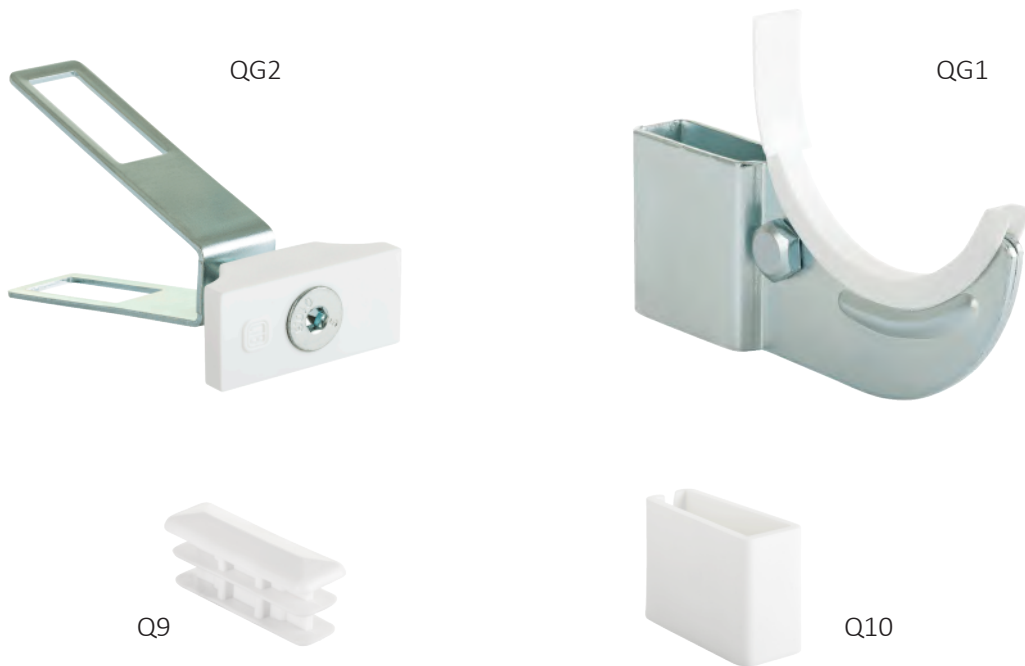


60705400

QGN: 1x QG1 + 1x QG2 + 1x Q10 + 1x Q9

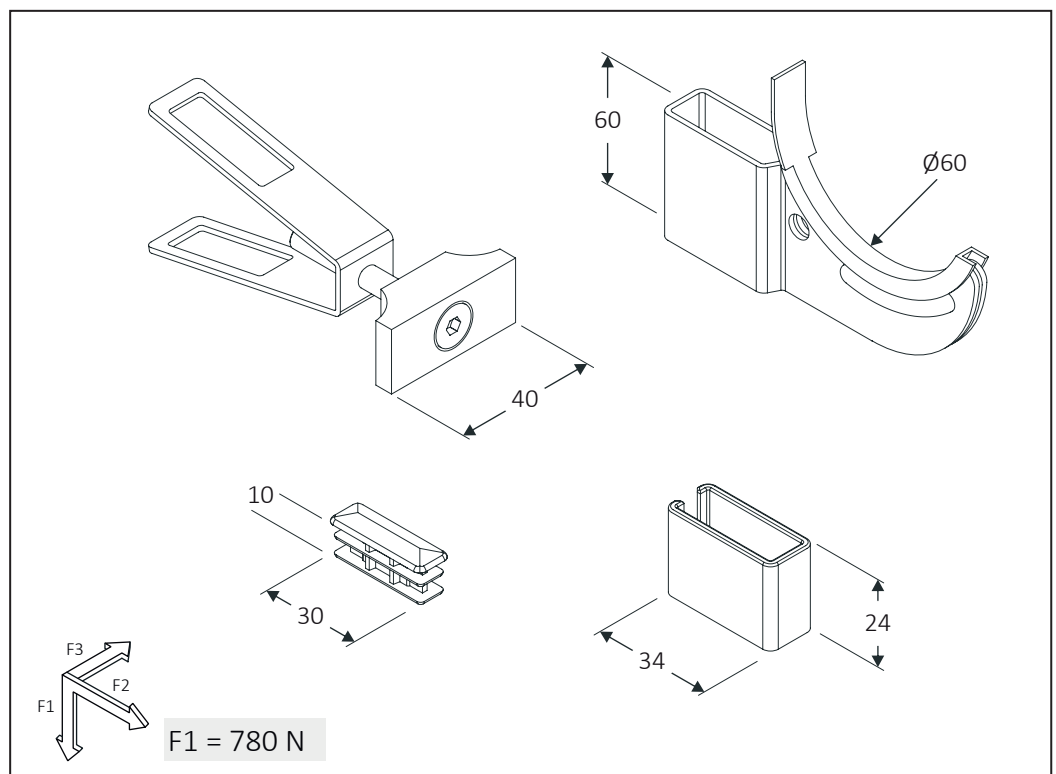
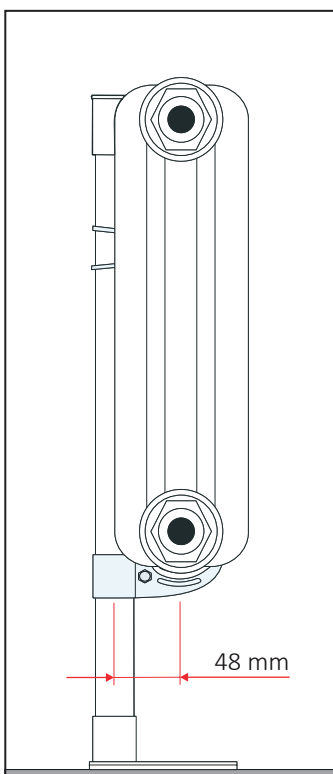
50

2750



Distance QGN

Measures are expressed in millimeters



Запитуйте продукцію MB Fix в магазинах Півдьюма | www.pivduyma.ua



CAST IRON BRACKETS

PGG: Cast iron foot to support multicolumn radiators, white color, single packaging in bubble wrap. **BG3:** Two wall brackets with two transparent clamps for fixing the radiator tubes. Adjustment for distance from wall (26-48 mm).

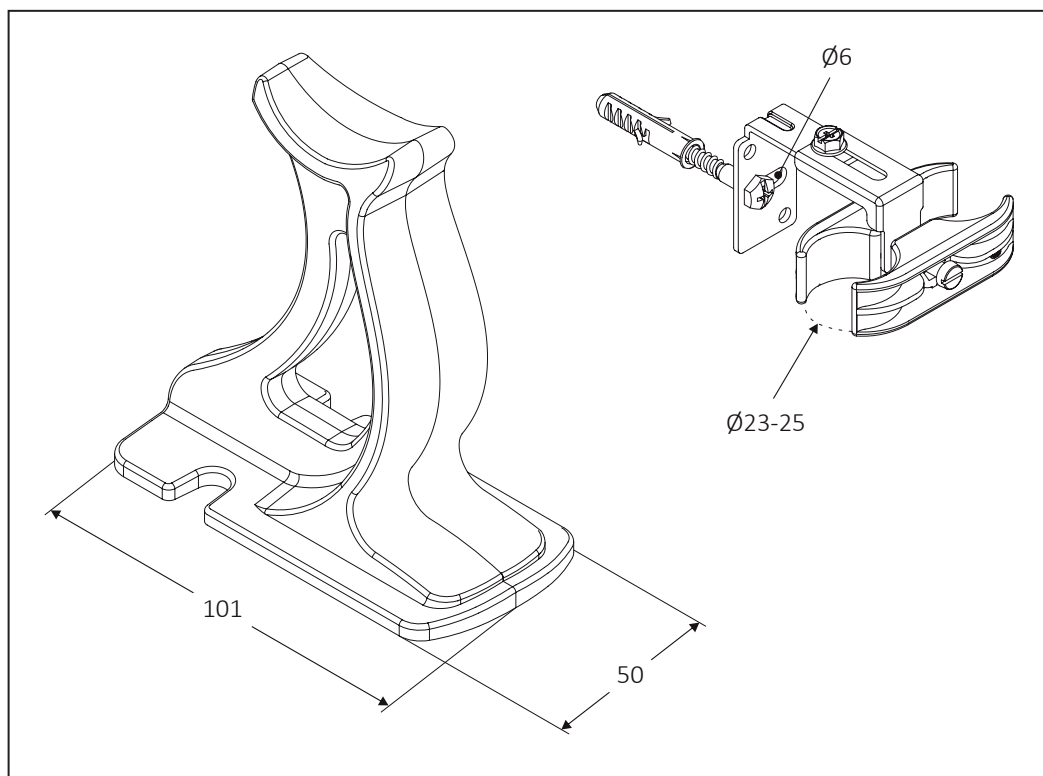
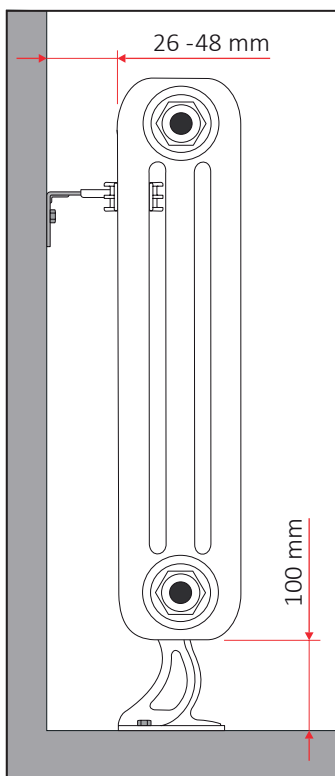


60770010	1x PGG	50	1000
60400600T	2x BG3	50	2500



Distance BG3 and PGG

Measures are expressed in millimeters



Запитуйте продукцію MB Fix в магазинах Півдьюма | www.pivduyma.ua



WALL BRACKETS

Two wall brackets with anti-lift cover **QKS** and transparent spacer **N6**.



60201002

2x GBT + 2x QKS + 2x N6



AK3

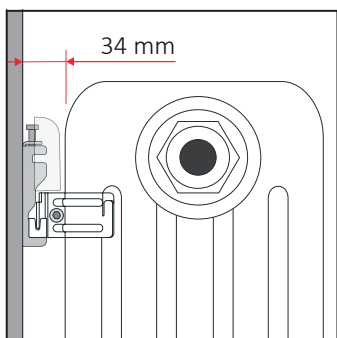
20

800

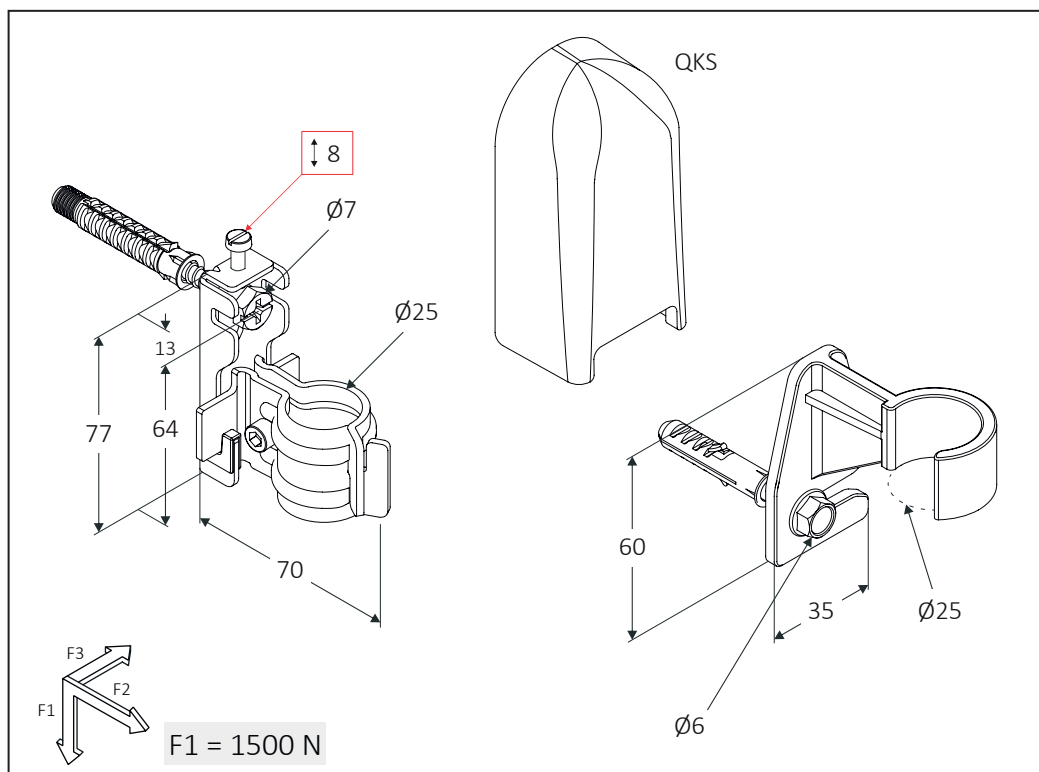
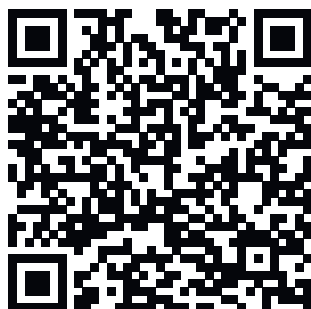


Distance GBT

Measures are expressed in millimeters



Assembly instructions



Запитуйте продукцію MB Fix в магазинах Півдьюма | www.pivduyma.ua



WALL BRACKETS

Two brackets for quick wall mounting with clamps **OT** and spacers **N5**, all in white color. Options for distance from wall (30-40 mm). Plastic insulators included.



60400740	2x D2 + 2x OT + 2x N5	50	1200
60550008	SC7	100	2000



D2
White



N5



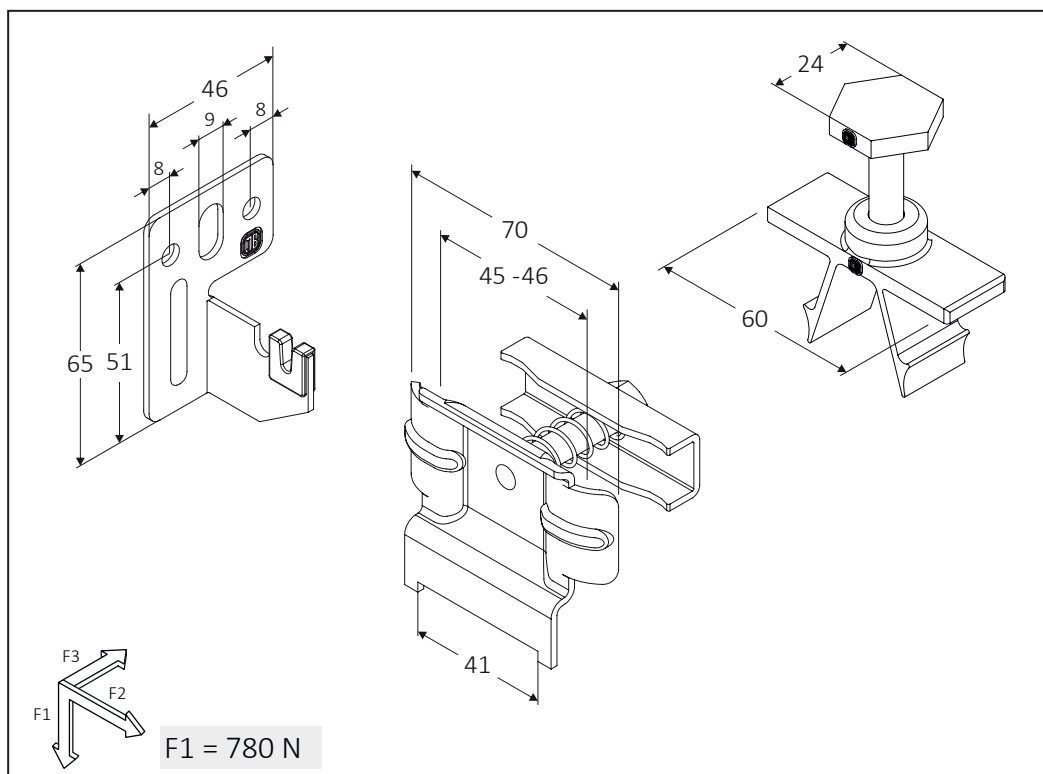
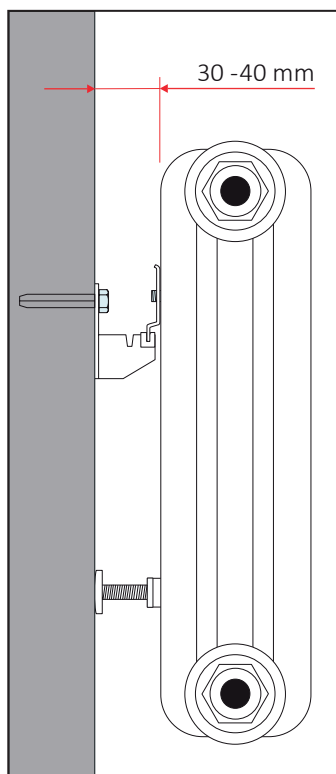
OT



SC7
Safety device

Distance D2 OT N5

Measures are expressed in millimeters



Запитуйте продукцію MB Fix в магазинах Півдьюма | www.pivduyma.ua



WALL BRACKETS

Two brackets for quick wall mounting of tubular radiators in horizontal version, possibility of vertical adjustment and distance from wall, white version. **N5+NP**: spacers in white and transparent plastic. **SC3H**: anti-lift security. Galvanized version on request.



60400542

2x D3 + 2x OTH + 2x SC3H + 2x N5 + 2x NP

50

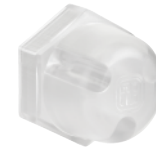
1600



D3
White



N5
White



NP
Transparent



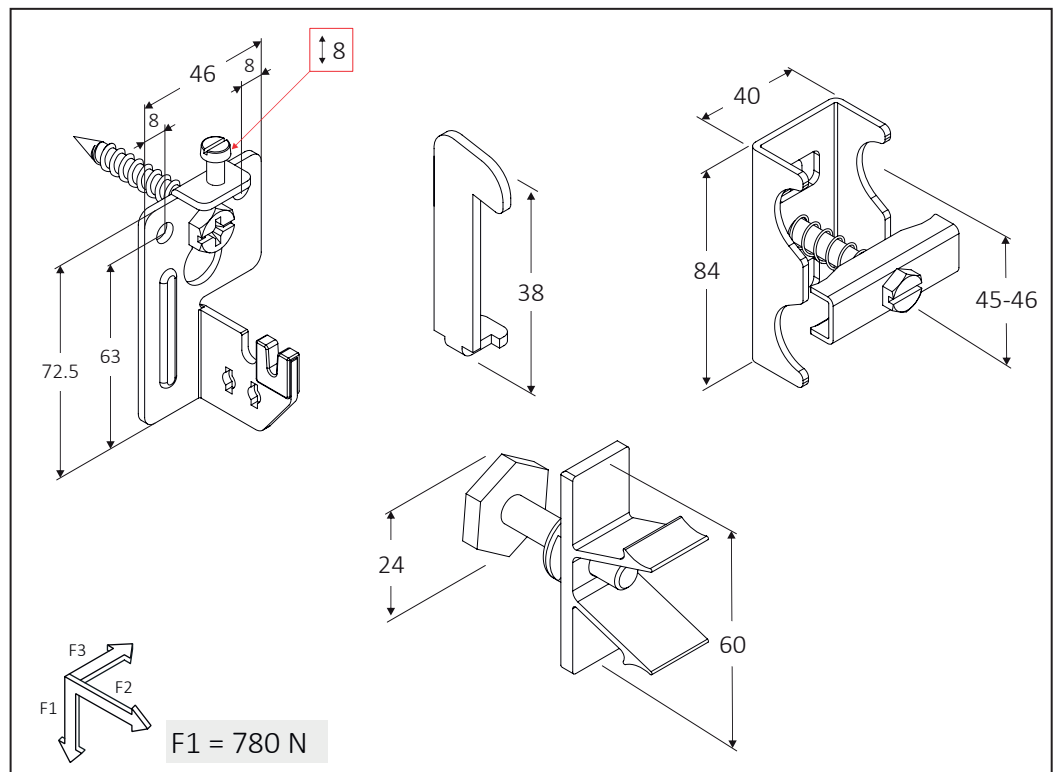
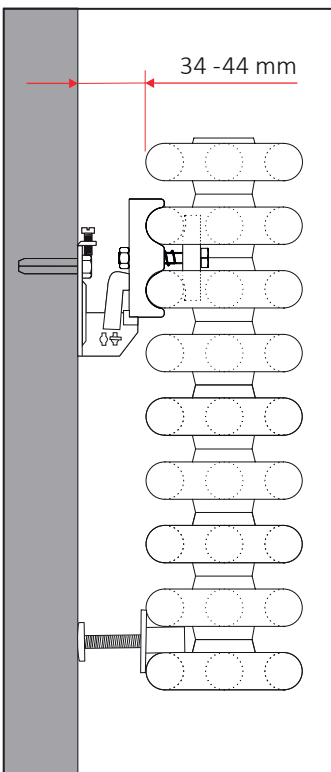
SC3H



OTH

Distance D3 OTH

Measures are expressed in millimeters



Запитуйте продукцію MB Fix в магазинах Півдьюма | www.pivduyma.ua



WALL BRACKETS

Two wall brackets with percussion $\varnothing 12\text{mm}$, for quick wall mounting of tubular radiators, manifold diameter from 45mm to 60mm, white version.



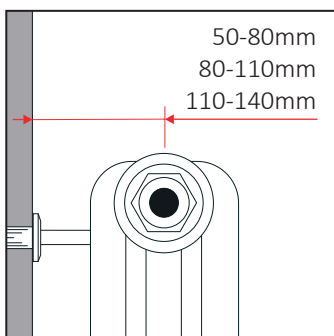
60211650	2x R12V L = 50- 80	50	2500
602116551	2x R12V L = 80 110	50	2000
60211652	2x R12V L = 110- 140	50	1500



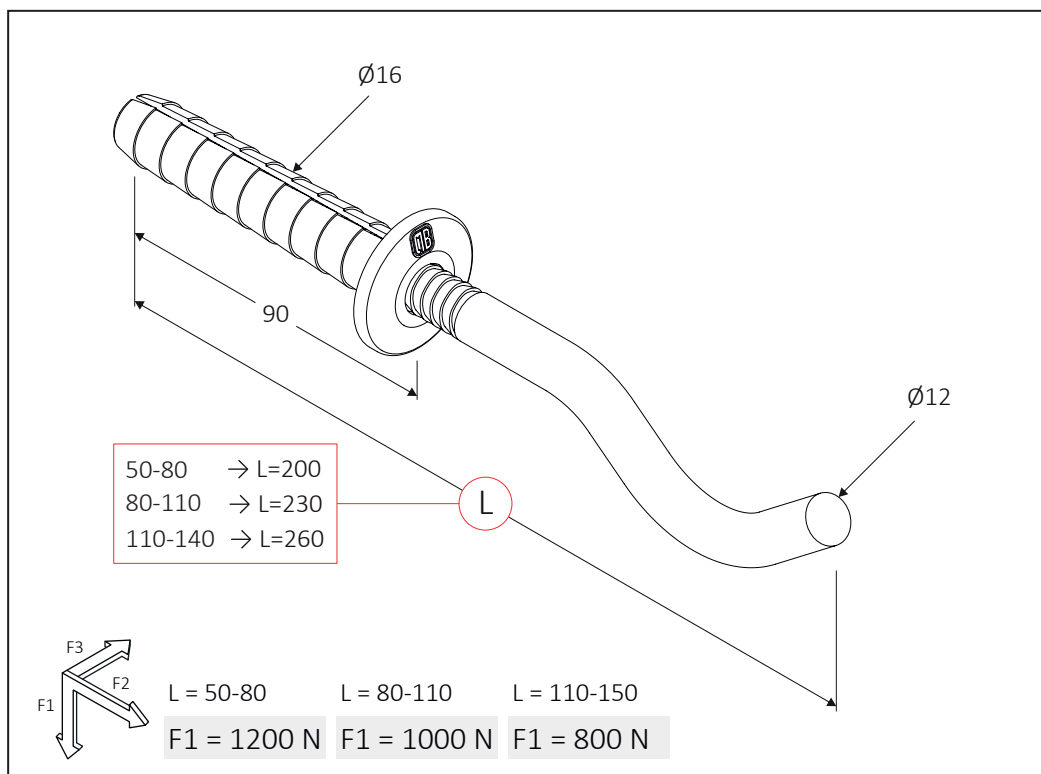
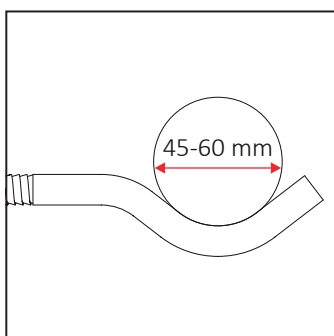
R12V

Distance R12V

Measures are expressed in millimeters



Manifold dimensions



Запитуйте продукцію MB Fix в магазинах Півдьюма | www.pivduyma.ua



WALL BRACKETS

Two wall brackets for quick wall mounting of tubular radiators, length 70mm or 105mm.



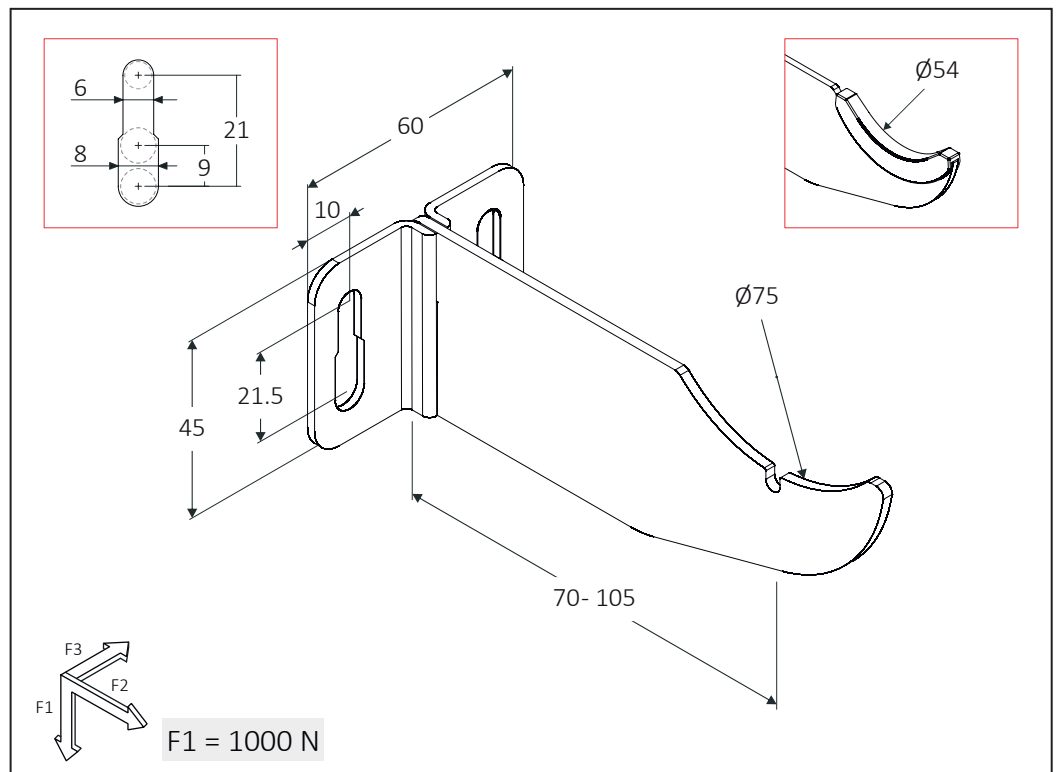
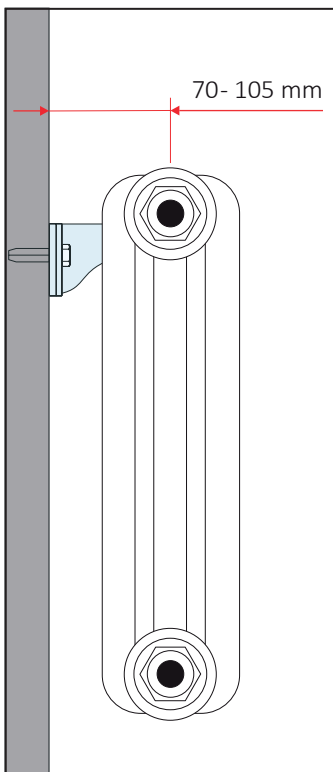
60210173	2x T1G L = 70	50	3300
60210174	2x T1G L = 105	50	3300



T1G

Distance T1G

Measures are expressed in millimeters



Запитуйте продукцію MB Fix в магазинах Півдьюма | www.pivduyma.ua



WALL BRACKETS

Ready-to-install wall bracket for cast iron radiators, tubular radiators can also be installed by using the insulator provided.



60005191

2x M2

50

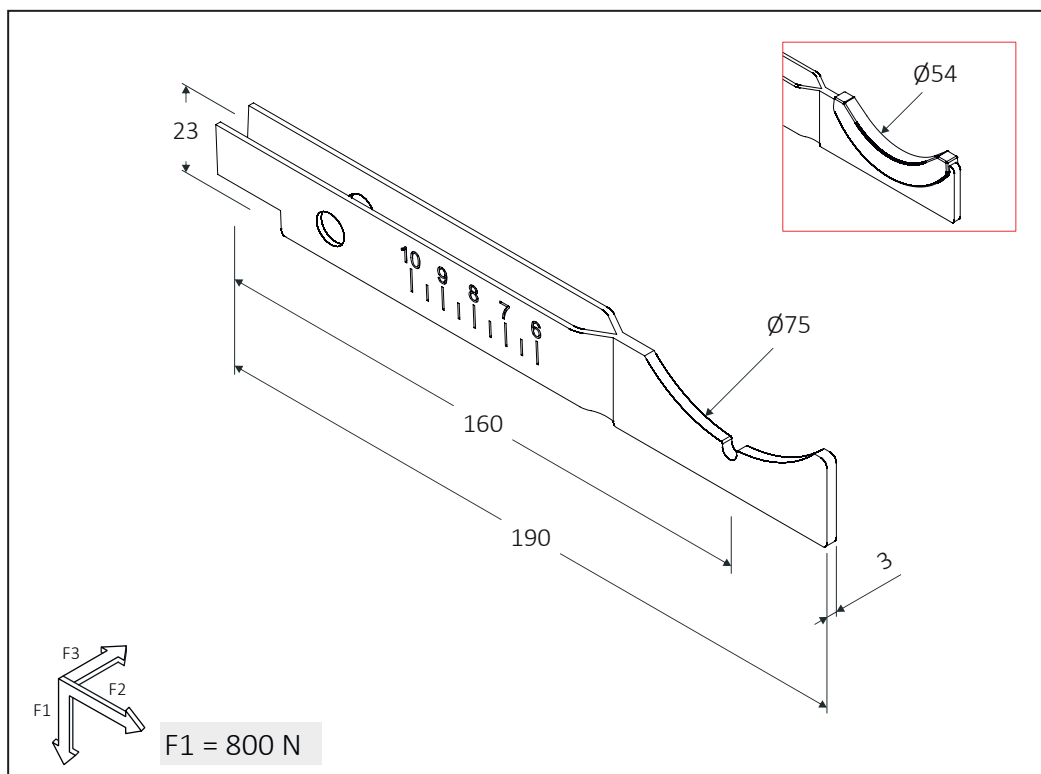
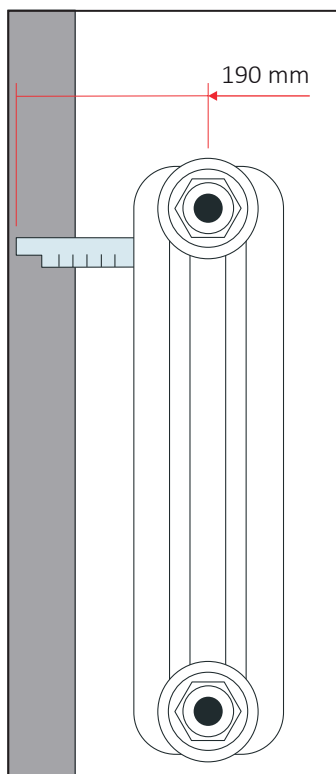
1600



M2

Distance M2

Measures are expressed in millimeters



Запитуйте продукцію MB Fix в магазинах Півдьюма | www.pivduyma.ua



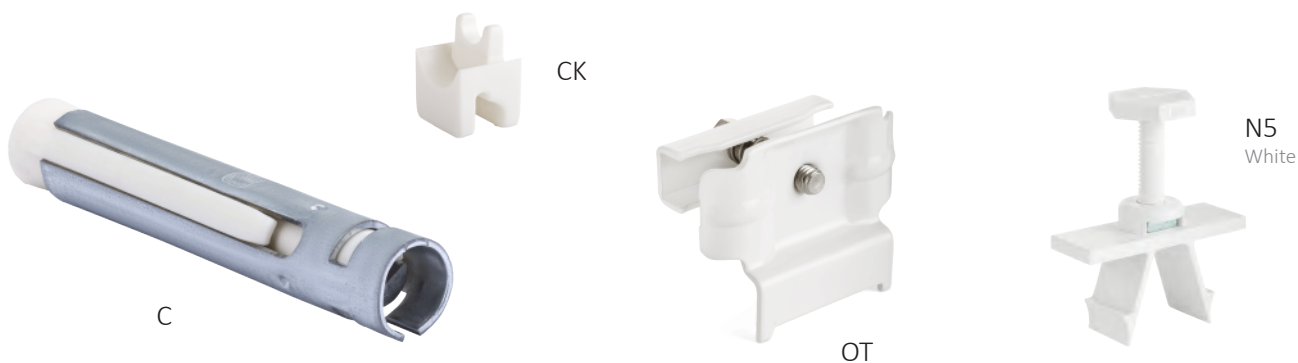
EXPANSION BRACKETS

Kit of two expansion brackets for tubular radiators and supports **CK**. Adjustment for distance from wall (12-45 mm).

OT: Clamp for fixing tubular radiators. **N5**: White spacer for adjusting distance from wall.

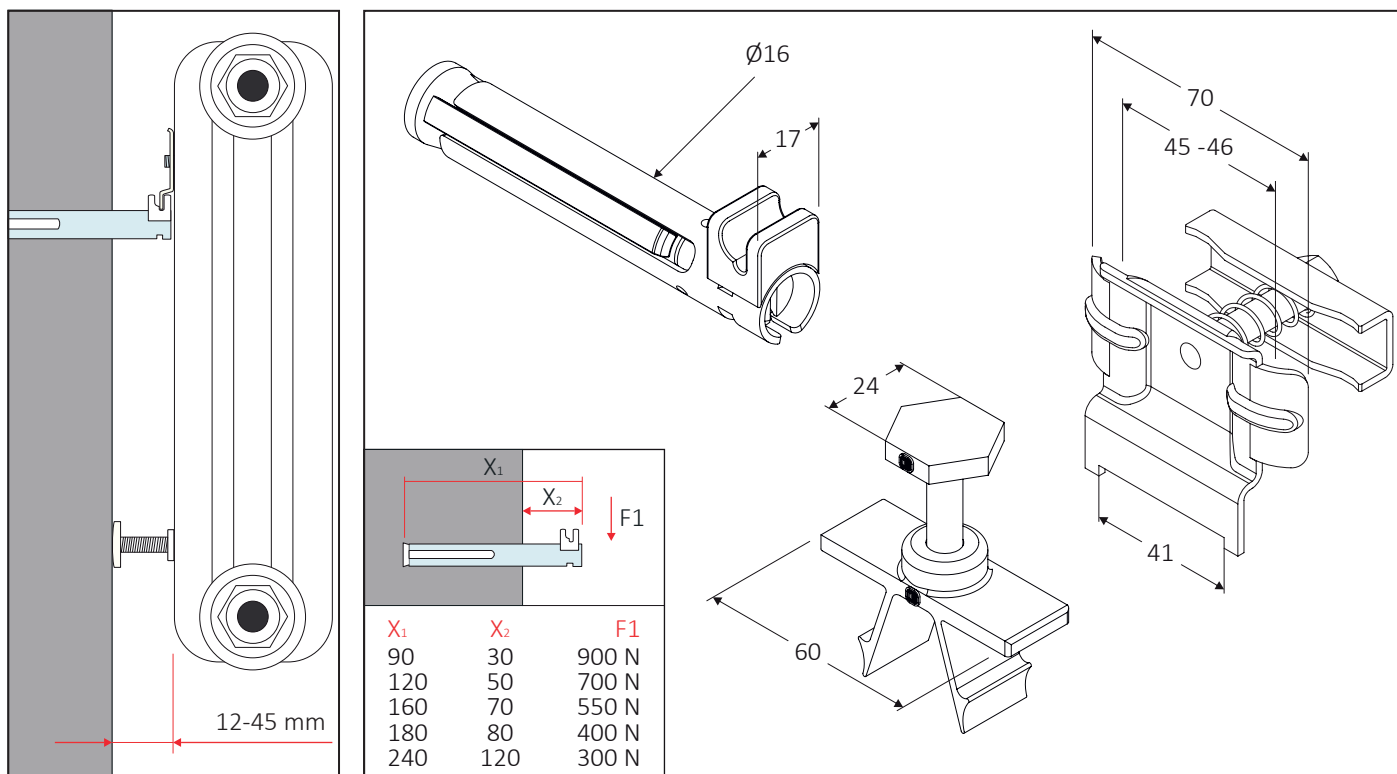


60511090	2x C 90 + 2x CK	50	5500
60511120	2x C 120 + 2x CK	50	2750
60511160	2x C 160 + 2x CK	50	2500
60511180	2x C 180 + 2x CK	50	2500
60511240	2x C 240 + 2x CK	50	2000
60500742	OT	100	5500
60020251T	N5	100	5500



Distance C CK

Measures are expressed in millimeters



Запитуйте продукцію MB Fix в магазинах Півдьюма | www.pivduyma.ua



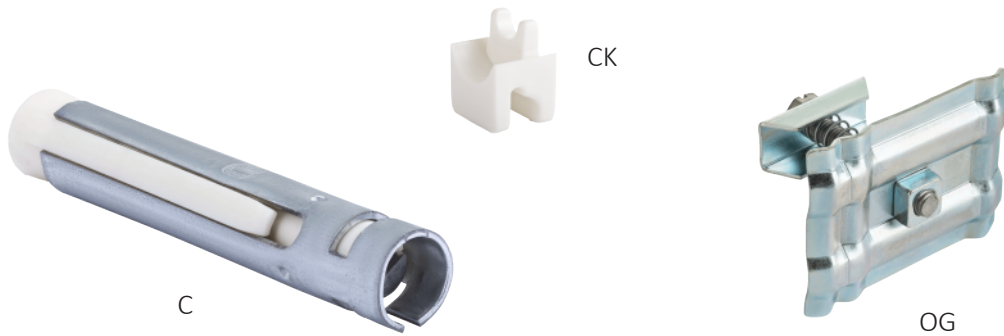
EXPANSION BRACKETS

Kit of two expansion brackets for cast iron radiators and supports **CK**. Adjustment for distance from wall (12-45 mm).

OG: Clamp for fixing cast iron radiators.

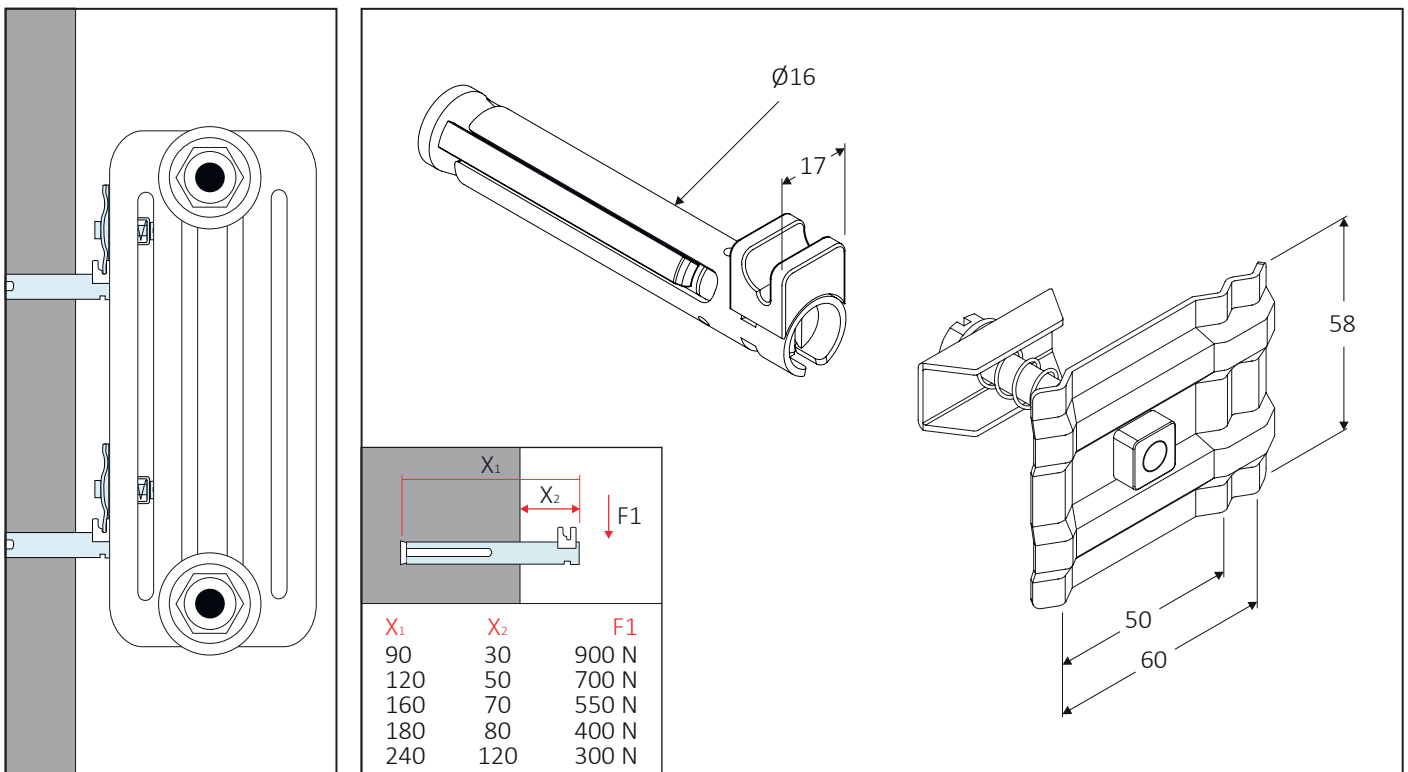


60511090	2x C 90 + 2x CK	50	5500
60511120	2x C 120 + 2x CK	50	2750
60511160	2x C 160 + 2x CK	50	2500
60511180	2x C 180 + 2x CK	50	2500
60511240	2x C 240 + 2x CK	50	2000
60500760	OG	100	5500



Installation C CK OG

Measures are expressed in millimeters



Запитуйте продукцію MB Fix в магазинах Півдьюма | www.pivduyma.ua



ACCESSORIES

Kit of 2 ledge holders for tubular radiators.



60751040

2x QX4

1

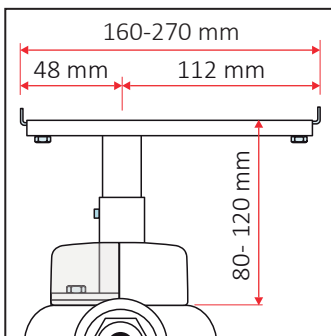
500

QX4
Ledge holder

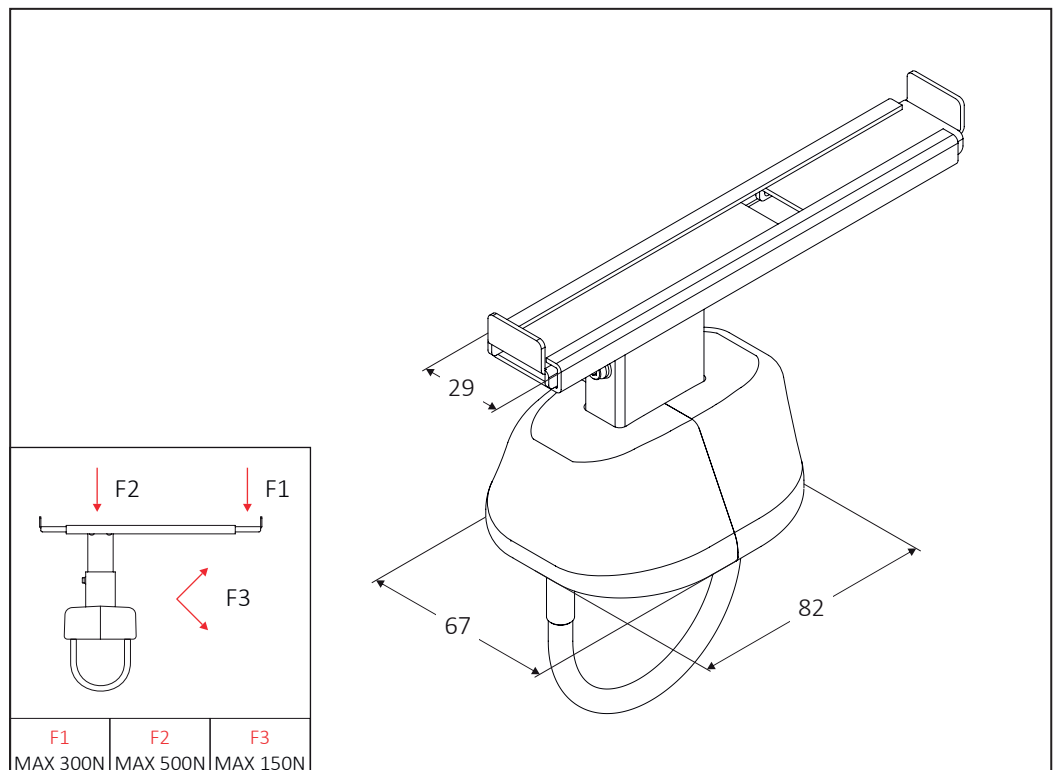
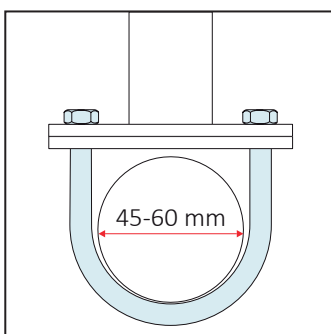


Regulation QX4

Measures are expressed in millimeters



Manifold dimensions



Запитуйте продукцію MB Fix в магазинах Півдьюма | www.pivduyma.ua



ACCESSORIES

Kit of two supports for bench construction on 6-column radiators. Distance from radiator to bench = 60 mm.
Available narrow or large version, according to the radiator manufacturer.

BEMM, IRSAP, RONDRA, ZEHNDER



60780215

2x PGP 215



1

110

ARBONIA, CORDIVARI, DL RADIATORS, ERCOS, ZENITH

60780230

2x PGP 230



1

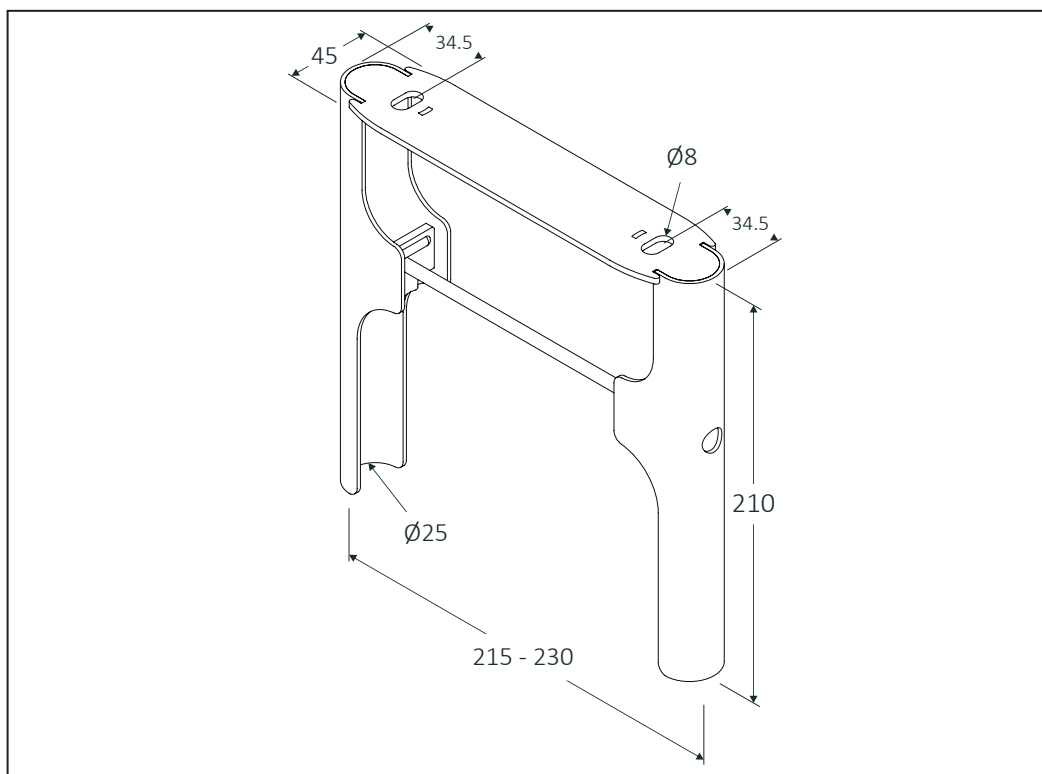
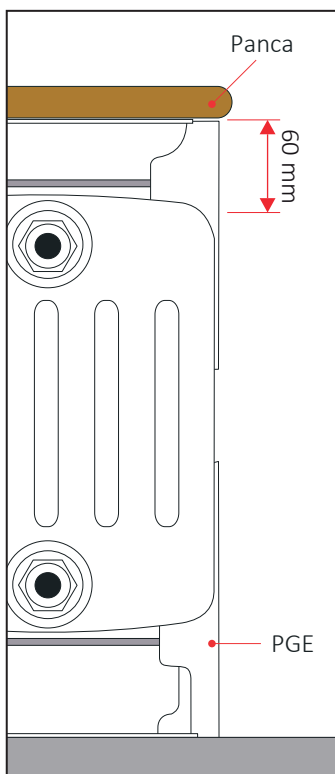
110

PGP
Support for bench



Distance PGP

Measures are expressed in millimeters



Запитуйте продукцію MB Fix в магазинах Півдьюма | www.pivduyma.ua



ACCESSORIES

Kit of two floor brackets for the bench construction through the use of tubular radiators fixed horizontally, for **2, 4** and **6 columns**, white version. Raw or galvanized version on request. Kit does not include seat/shelf.



ON REQUEST

2x PTP



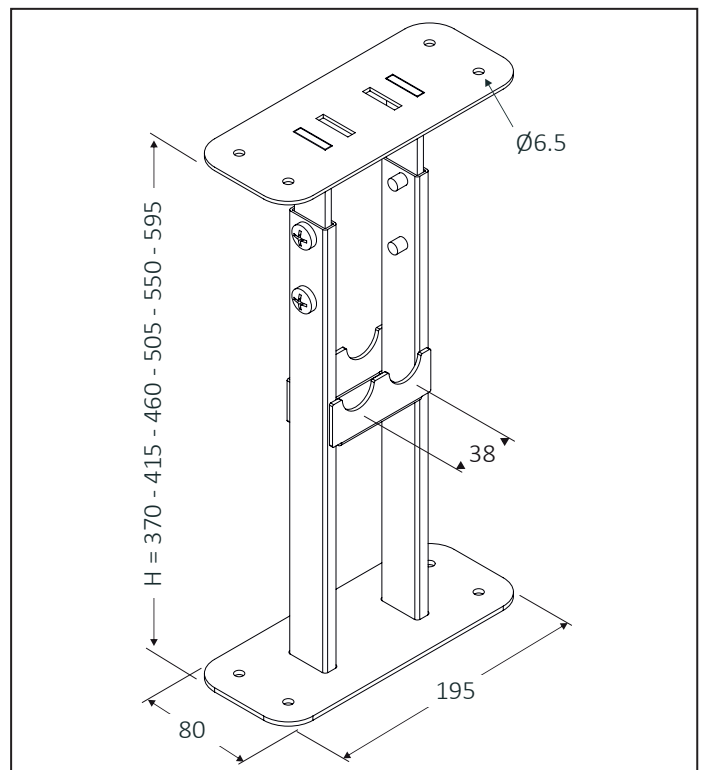
1

PTP

For radiators with 2-4-6 columns



Measures are expressed in millimeters



Запитуйте продукцію MB Fix в магазинах Півдьюма | www.pivduyma.ua



ACCESSORIES

Kit of two floor brackets for the bench construction through the use of tubular radiators fixed horizontally, for **3** and **5 columns**, white version. Raw or galvanized version on request. Kit does not include seat/shelf.



ON REQUEST

2x PTD



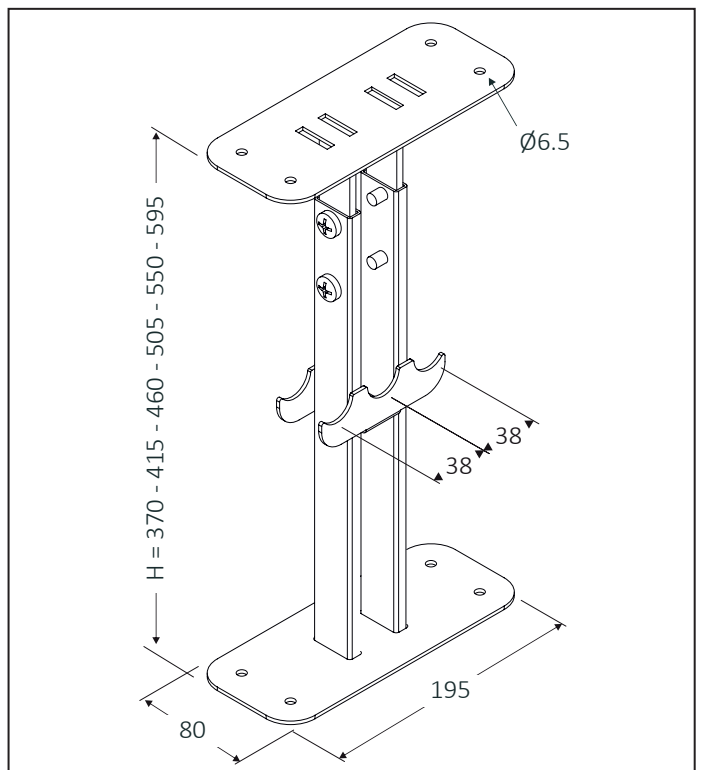
1

PTD

For radiators with 3-5 columns



Measures are expressed in millimeters



Запитуйте продукцію MB Fix в магазинах Півдьюма | www.pivduyma.ua





WE THINK THAT EVERY PROBLEM CAN BE SOLVED WITH
A TOUCH OF CREATIVITY

MB FIX SRL SB - VIA MADONNA NERA 2/B
I - 31030 BORSO DEL GRAPPA (TV)

marketing@mb-fix.it

Ph. +39 0423 913800

Fx. +39 0423 542188

Запитуйте продукцію MB Fix в магазинах Півдюйма | www.pivduyma.ua



United Nations
Educational, Scientific and
Cultural Organization



Fastening systems for panel radiators and convectors

The Pala group (Italian: Pale di San Martino, Dolomiti delle Pale or Gruppo delle Pale) is a mountain range in the Dolomites, in the eastern Trentino and part of the province of Belluno, northern Italy. They cover an area of c. 240 km².

Запитуйте продукцію MB Fix в магазинах Півдьюма | www.pivduyma.ua



FIX IT

BRACKETS READY FOR INSTALLATION

Two ready-to-install floor brackets for panel radiators type 11-12-21-22-33, height from 300 to 1000 mm, without central connections. **PK3**: configuration for finished floor. **PK1**: configuration for raw floor.

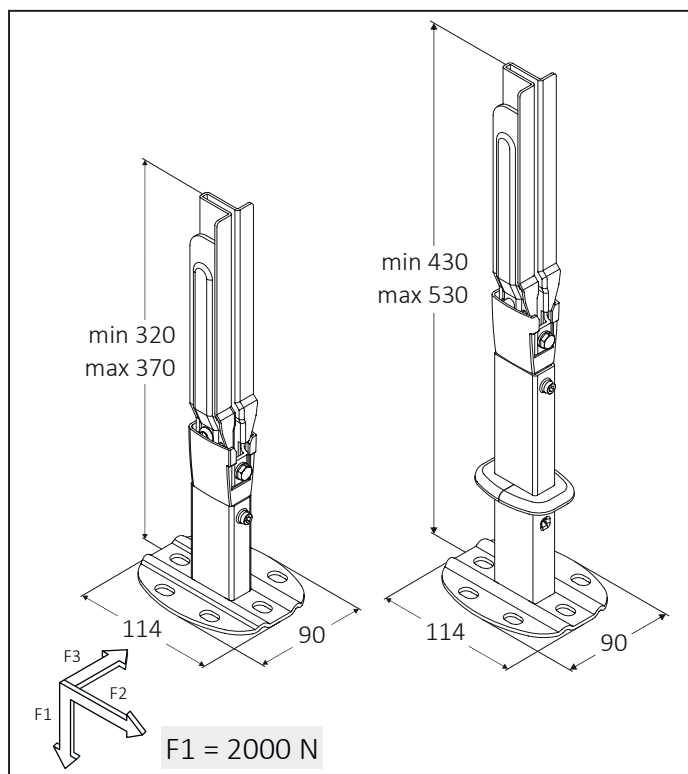
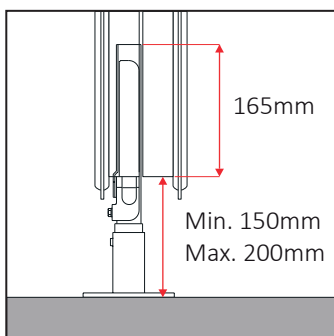


60741003	2x PK3 + 2x QKP + 2x QKK	AK3	1	250
60741001	2x PK1 + 2x QKF + 2x QKK	AK3	1	170



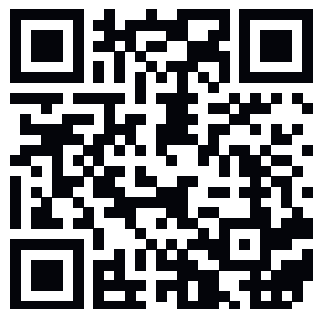
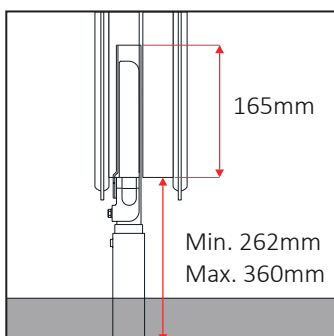
PK3 for finished floor

Measures are expressed in millimeters



PK1 for raw floor

Assembly instructions



Запитуйте продукцію MB Fix в магазинах Півдьюма | www.pivduyma.ua

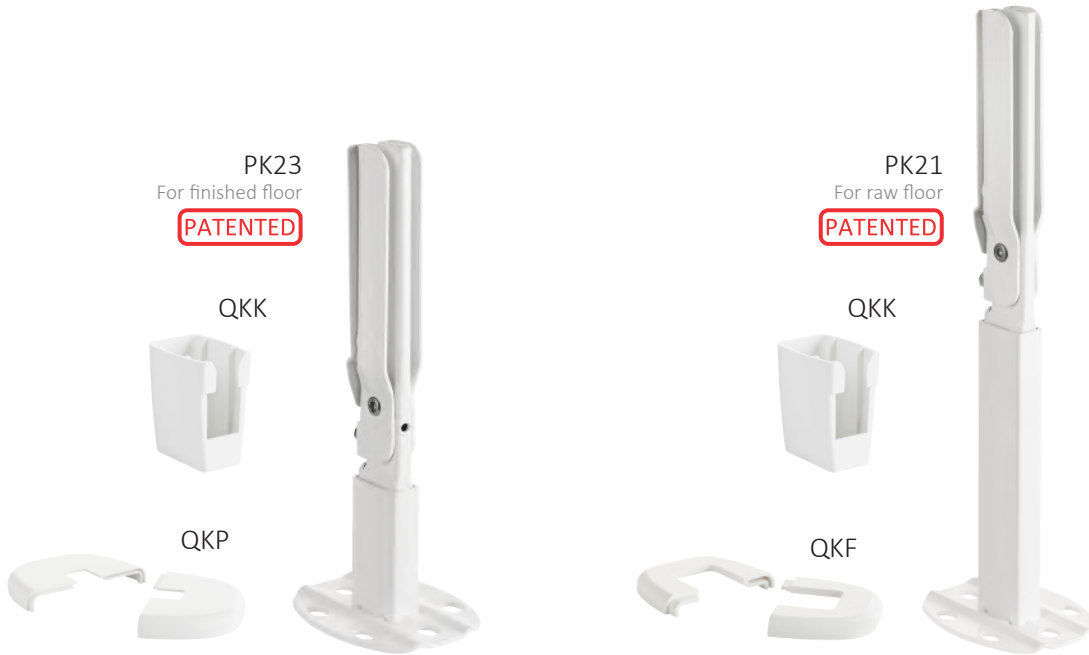


BRACKETS READY FOR INSTALLATION

Two ready-to-install floor brackets for panel radiators type 11-12-21-22-33, height from 150 to 300 mm, without central connections. **PK23**: configuration for finished floor. **PK21**: configuration for raw floor.

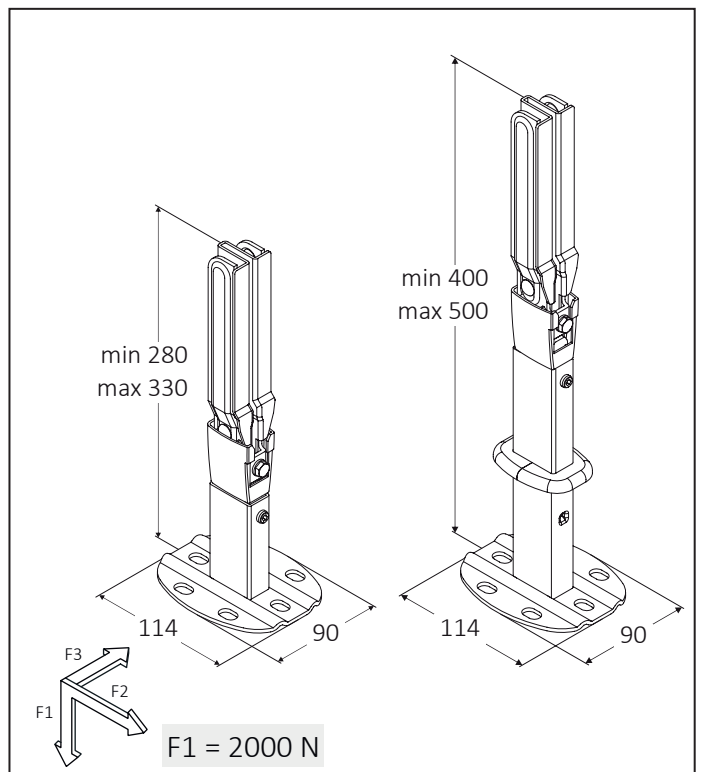
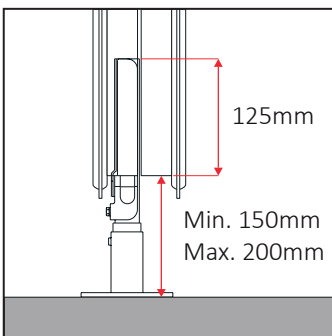


60740023	2x PK23 + 2x QKP + 2x QKK	AK3	1	250
60740021	2x PK21 + 2x QKF + 2x QKK	AK3	1	170



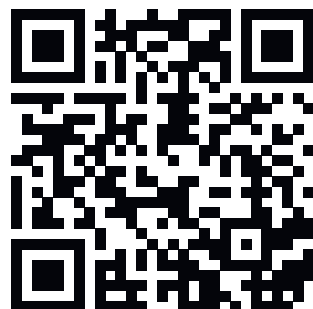
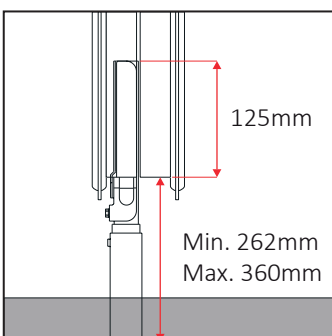
PK23 for finished floor

Measures are expressed in millimeters



PK21 for raw floor

Assembly instructions



Запитуйте продукцію MB Fix в магазинах Півдьюма | www.pivduyma.ua



BRACKETS READY FOR INSTALLATION

Two ready-to-install floor brackets for panel radiators type 22-30-33, height from 150 to 1000 mm, with and without central connections. **PX3**: configuration for finished floor. **PX1**: configuration for raw floor.



60753030	2x PX3 + 2x QKP	 AK3	1	150
60753010	2x PX1 + 2x QKF	 AK3	1	110

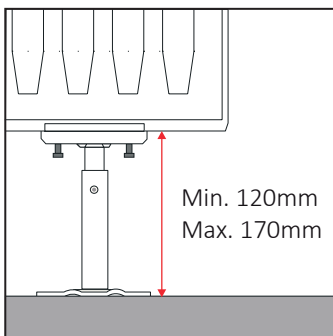
PX3
For finished floor



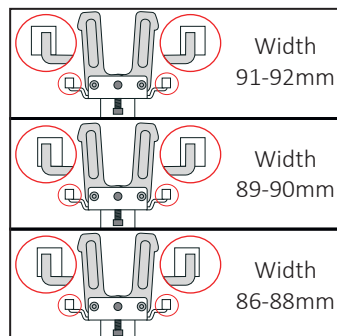
PX1
For raw floor



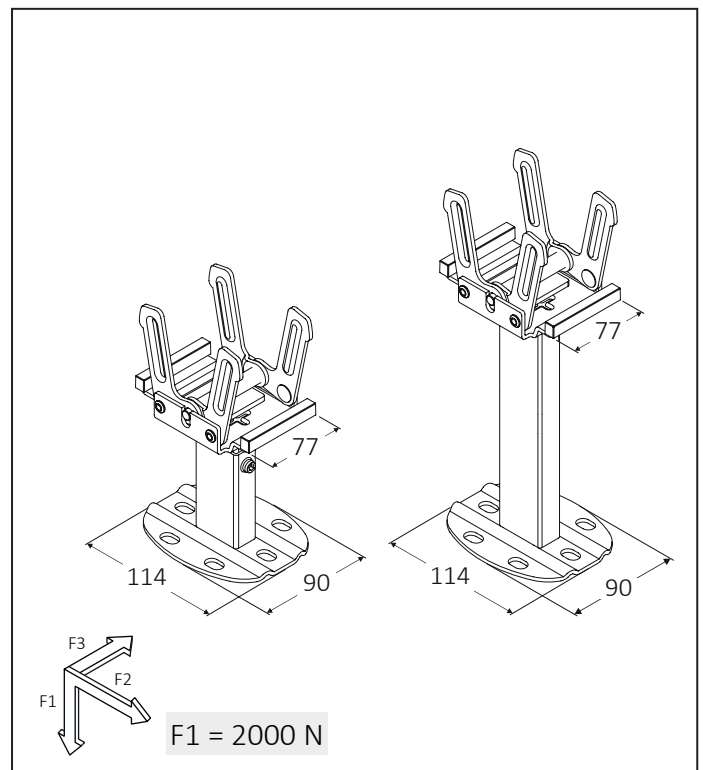
PX3 for finished floor



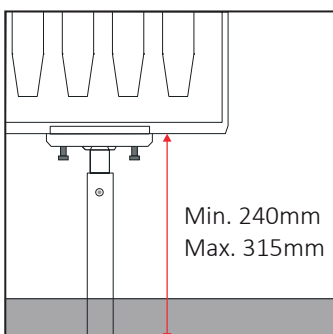
Widths PX3 and PX1



Measures are expressed in millimeters



PX1 for raw floor



 Assembly instructions



Запитуйте продукцію MB Fix в магазинах Півдьюма | www.pivduyma.ua



BRACKETS READY FOR INSTALLATION

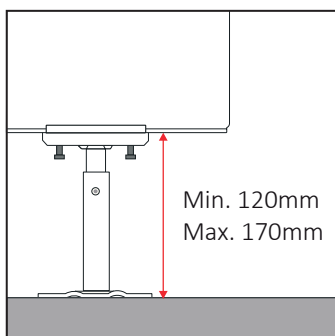
Two ready-to-install floor brackets for plain panel radiators type 22-30-33, height from 150 to 1000 mm, with and without central connections. **PX3-P**: configuration for finished floor. **PX1-P**: configuration for raw floor.



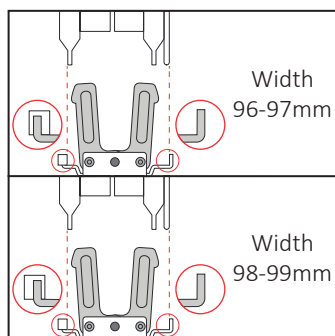
60753031	2x PX3-P + 2x QKP	1	150
60753011	2x PX1-P + 2x QKF	1	110



PX3-P for finished floor

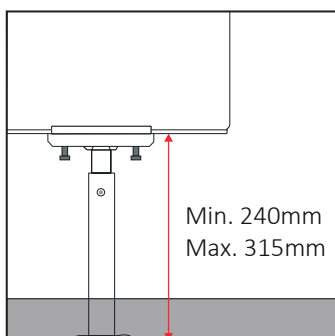


Widths PX3-P and PX1-P

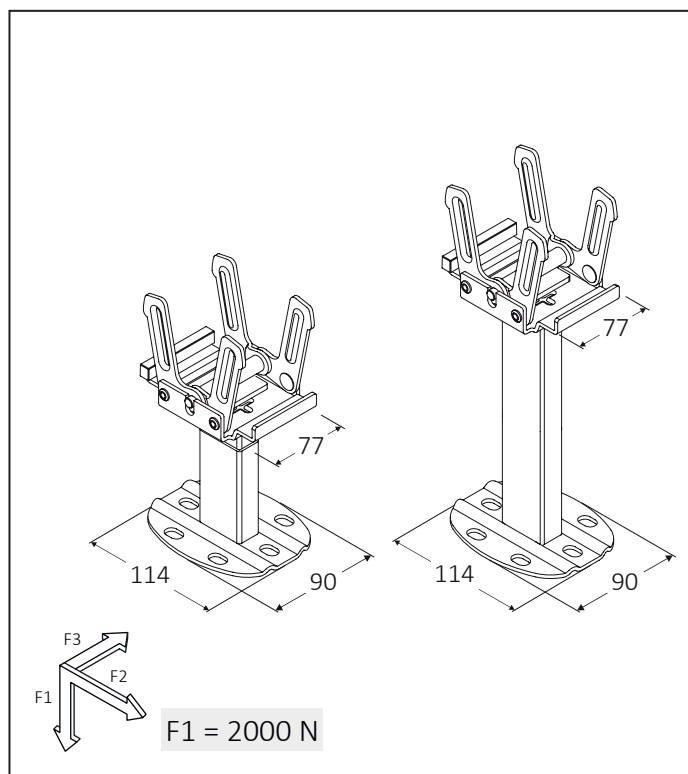


Measures are expressed in millimeters

PX1-P for raw floor



Assembly instructions



Запитуйте продукцію MB Fix в магазинах Півдьюма | www.pivduyma.ua



BRACKETS READY FOR INSTALLATION

Two ready-to-install floor brackets for panel radiators type 20, height from 150 to 1000 mm, without central connections. **PX20-3**: configuration for finished floor. **PX20-1**: configuration for raw floor.



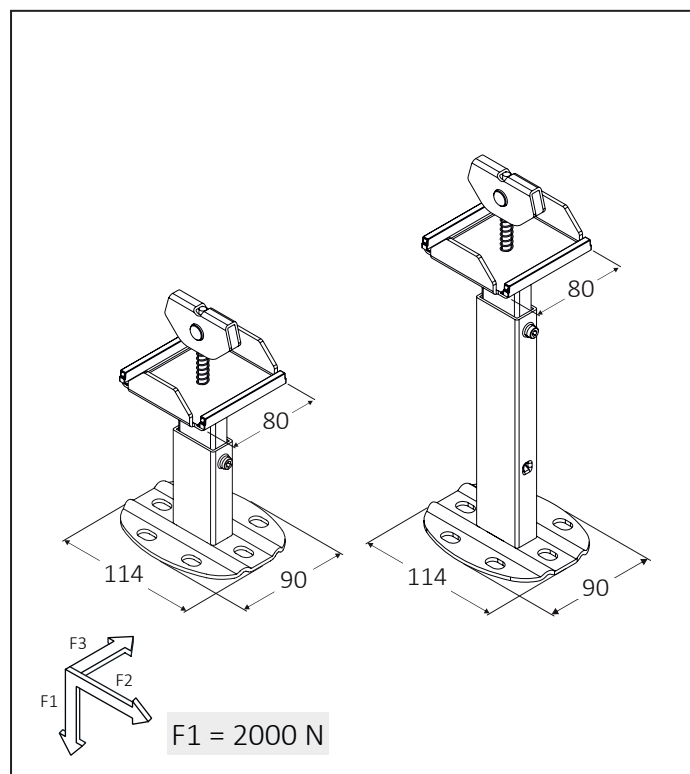
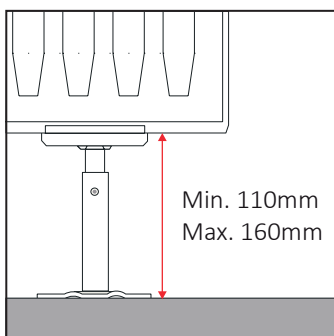
ON REQUEST 2x PX20-3 + 2x QKP

ON REQUEST 2x PX20-1 + 2x QKF



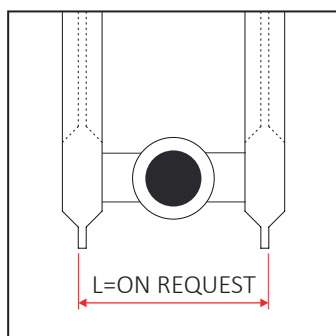
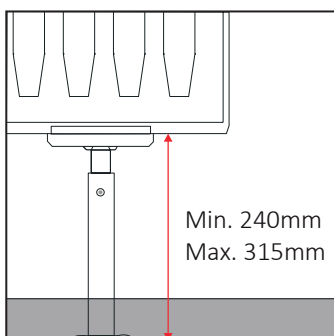
PX20-3 for finished floor

Measures are expressed in millimeters



PX20-1 for raw floor

Without convectors



Запитуйте продукцію MB Fix в магазинах Півдьюма | www.pivduyma.ua



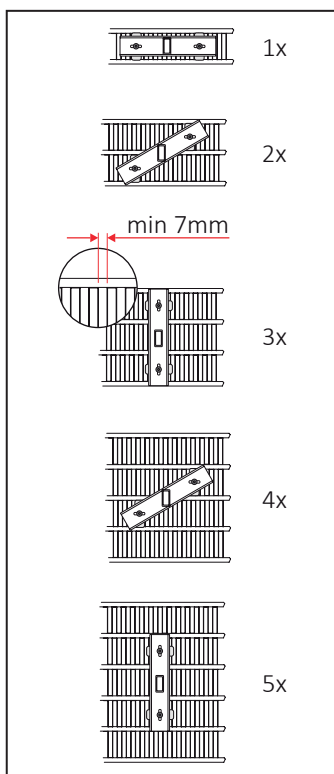
BRACKETS READY FOR INSTALLATION

Two ready-to-install floor brackets for convectors. **PKK-3**: configuration for finished floor. **PKK**: configuration for raw floor. **PKK-1**: configuration for raw floor.

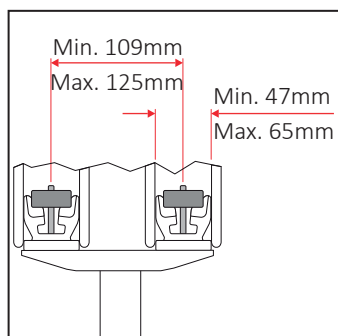
Code	Configuration	VDI 6036 8 KONFORM	AK3	Icon 1	Icon 2
60744013	2x PKK-3 + 2x QKP		AK3		
60744010	2x PKK + 2x QKF		AK3	1	160
60744011	2x PKK-1 + 2x QKF		AK3	1	150
				1	110



Regulations



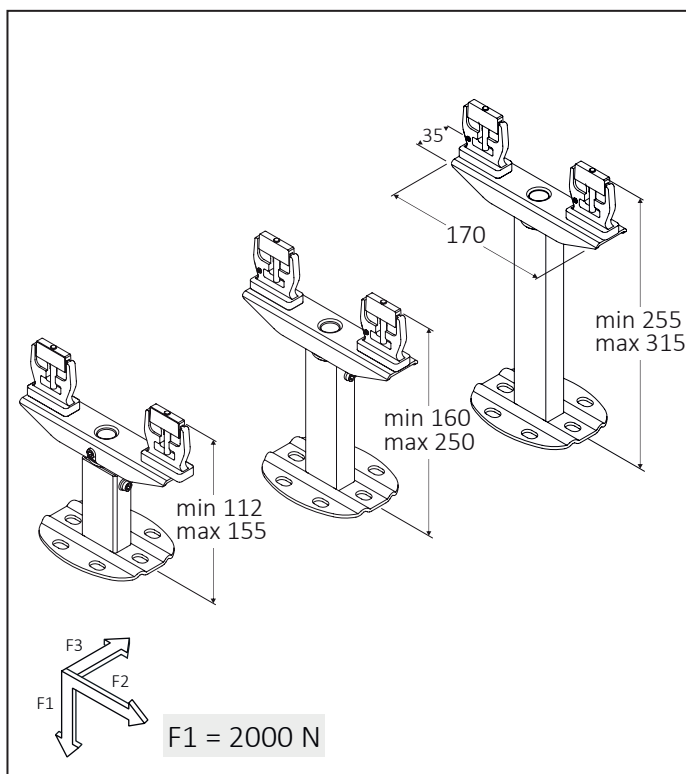
Widths



Assembly instructions



Measures are expressed in millimeters



Запитуйте продукцію MB Fix в магазинах Півдьюма | www.pivduyma.ua



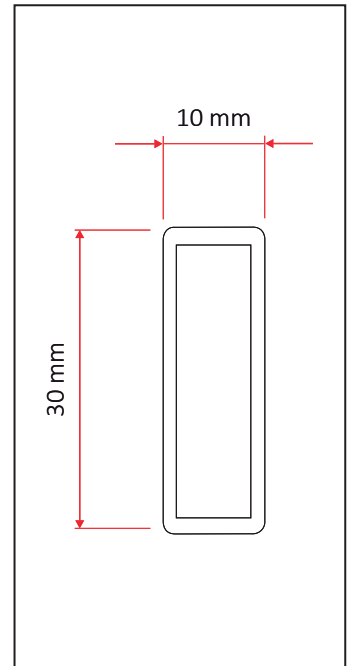
MODULAR BRACKETS

Rectangular section tube for floor bracket composition, for panel radiators with height from 300 to 1000 mm.

QT



Code	Model	Box Qty	Pallet Qty
60705046	QT 460 mm	25	1500
60705056	QT 560 mm	25	1500
60705066	QT 660 mm	25	1000
60705076	QT 760 mm	25	1000
60705086	QT 860 mm	25	1000
60705096	QT 960 mm	25	1000
60705106	QT 1060 mm	25	1000
60705116	QT 1160 mm	25	1000

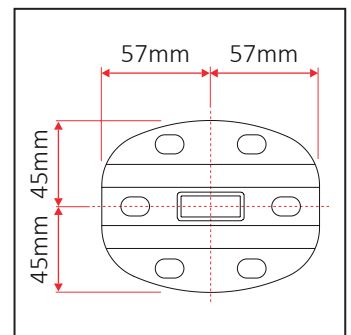


Base with central tube for floor bracket composition, with rectangular tube model **QT**.

QB



Code	Model	Box Qty	Pallet Qty
60705000	QB	50	2500
60705012	QK	20	3000



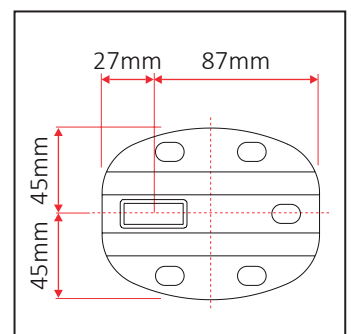
QK

Base with decentralized tube for floor bracket composition, with rectangular tube model **QT**.

QBX



Code	Model	Box Qty	Pallet Qty
60705005	QBX	50	2500
60705013	QKX	20	4000



QKX

Запитуйте продукцію MB Fix в магазинах Півдьюма | www.pivduyma.ua



MODULAR BRACKETS

Superior fixing **Q1** and lower support **Q7**, for floor bracket composition with rectangular tube model **QT**, width regulation from 65 to 100 mm, bracket inside the radiator, for panel radiators with or without handles type 20-21-22-33.



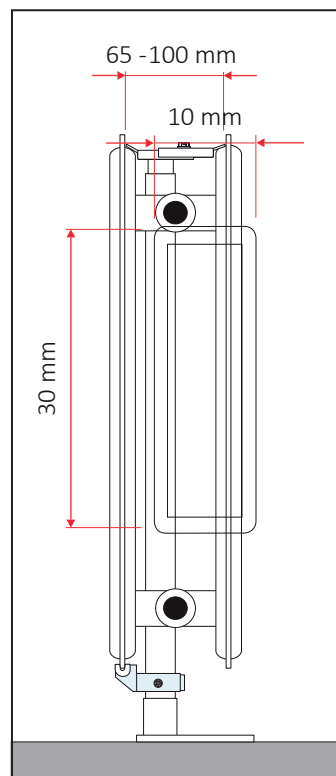
Q1



60705900	QN1: 1x Q7 + 1x Q1	50	2750
----------	--------------------	----	------



Q7



Couple of fixings **Q6**, for floor bracket composition with rectangular tube model **QT**, plug **Q9** in white Nylon; for panel radiators with handles.



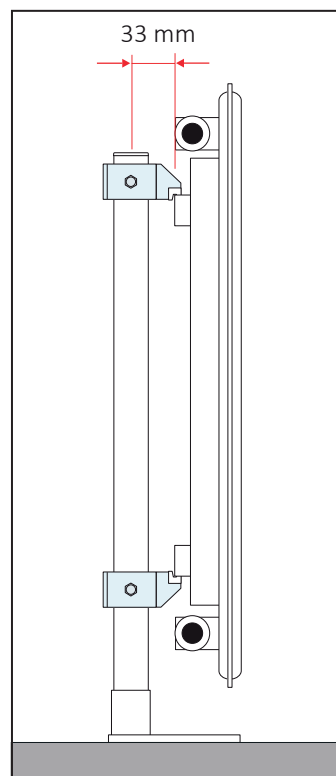
Q9



60705203	QE: 2x Q6 + 1x Q9	50	2750
----------	-------------------	----	------



Q6



Запитуйте продукцію MB Fix в магазинах Півдьюма | www.pivduyma.ua



COVERS AND EXTENSIONS

VL: 10 cm extension for all ready-to-install floor brackets. **QKR:** tube-cover in white ABS, for all ready-to-install floor brackets, configuration for finished floor. **QKP** and **QKF:** base-cover in white ABS, supplied with all ready-to-install floor brackets.



60740004	1x VL (+ 10cm)	50	1050
60705024	2x QKR	25	2000
60705020	1x QKP	20	3000
60705022	1x QKF	20	4000



VL



QKR

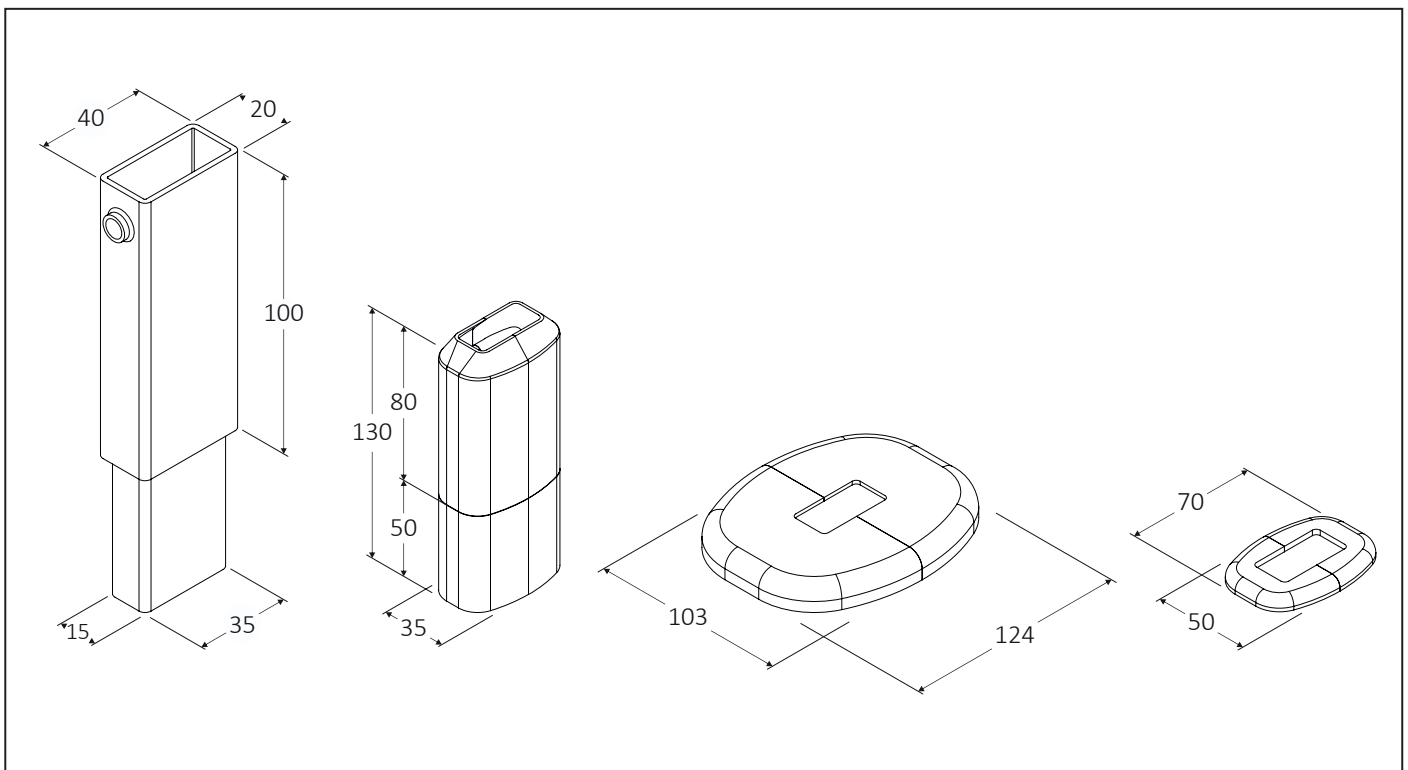


QKP



QKF

Measures are expressed in millimeters



Запитуйте продукцію MB Fix в магазинах Півдьюма | www.pivduyma.ua



WALL RAIL BRACKETS

Two ready-to-install wall brackets for horizontal panel radiators with or without handles, multi-adjustable head, capacity: 150 kg each bracket. If mounted with safety **SC6** (article available separately), the installation complies with class 3 VDI 6036.

L = Length hook in mm: 3- 6,5- 7,5- 8,5- 9,5- 10,5 (see table below).



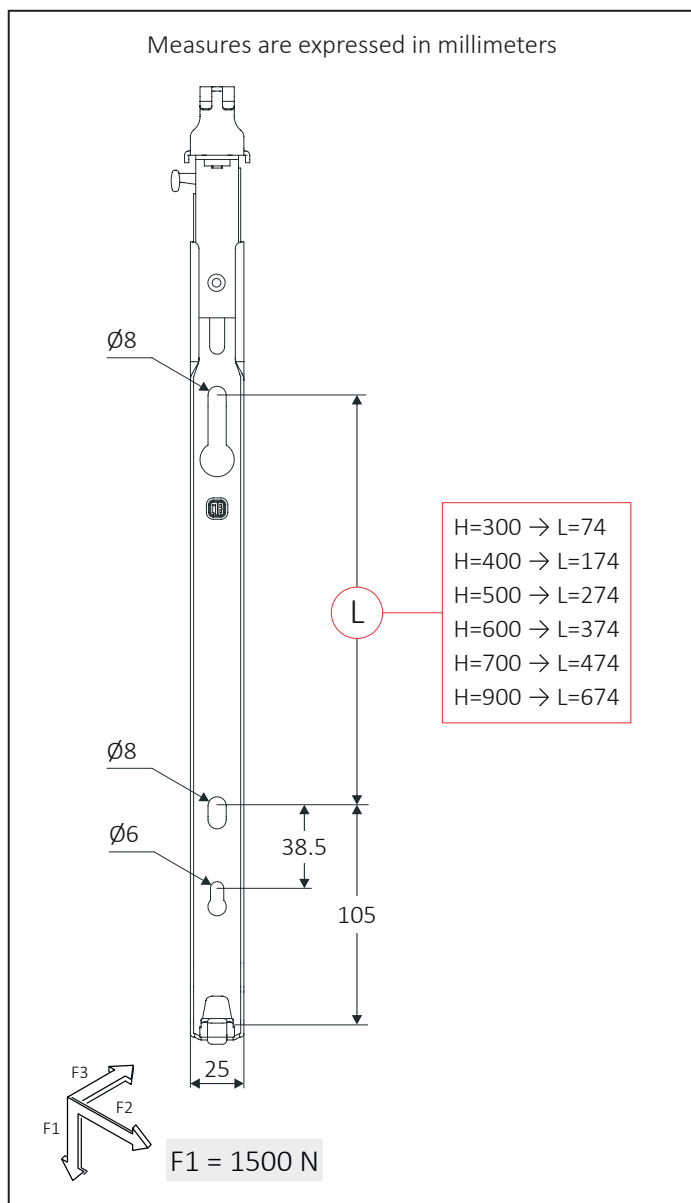
6063L030	2x F7V EASY H 300		AK2	50	800
6063L040	2x F7V EASY H 400		AK2	50	800
6063L050	2x F7V EASY H 500		AK2	30	840
6063L060	2x F7V EASY H 600		AK2	30	630
6063L070	2x F7V EASY H 700		AK2	25	350
6063L090	2x F7V EASY H 900		AK2	20	280
60550004	2x SC6 VDI 6036		AK3	100	30000

SC6
Safety device

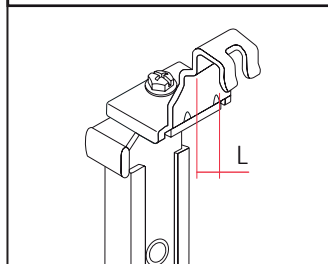


F7V
Easy

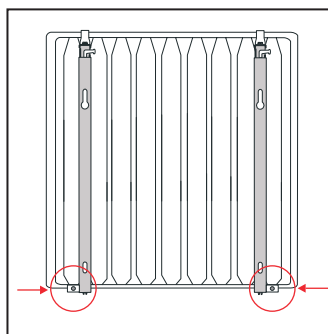
PATENTED



L = 3-6.5-7.5-8.5-9.5-10.5mm



SC6: safety device anti-slipping



Assembly instructions



Запитуйте продукцію MB Fix в магазинах Півдьюма | www.pivduyma.ua



WALL RAIL BRACKETS

Two ready-to-install wall brackets for horizontal panel radiators “round bottom” with or without handles, multi-adjustable head, capacity: 150 kg each bracket.

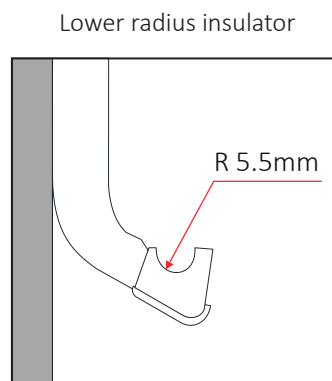
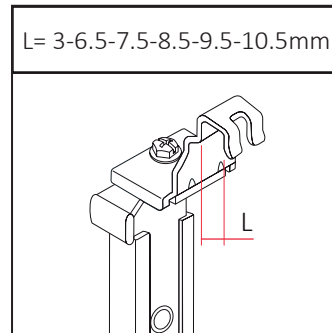
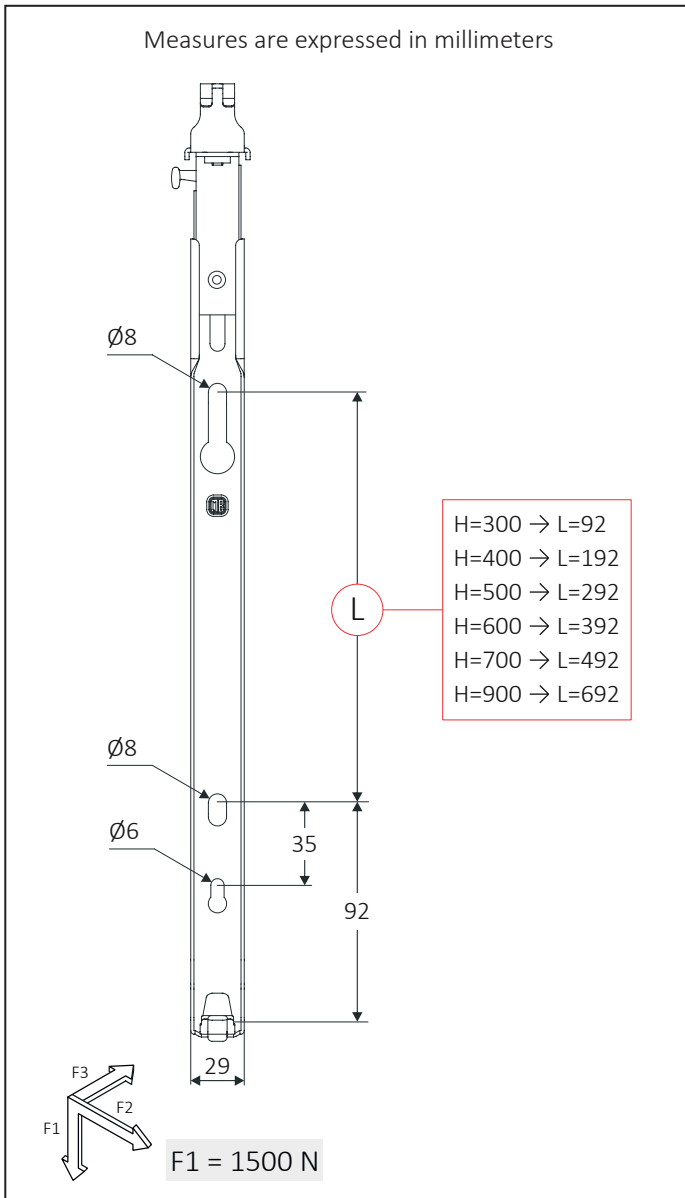
L = Length hook in mm: 3- 6,5- 7,5- 8,5- 9,5- 10,5 (see table below).



6062L030	2x F7RB EASY H 300		AK2	50	600
6062L040	2x F7RB EASY H 400		AK2	50	600
6062L050	2x F7RB EASY H 500		AK2	30	600
6062L060	2x F7RB EASY H 600		AK2	30	450
6062L070	2x F7RB EASY H 700		AK2	25	250
6062L090	2x F7RB EASY H 900		AK2	20	200

F7RB
Easy

PATENTED



Запитуйте продукцію MB Fix в магазинах Півдьюма | www.pivduyma.ua



WALL RAIL BRACKETS

Two ready-to-install wall brackets for vertical panel radiators with or without handles, multi-adjustable head, capacity: 150 kg each bracket. If mounted with safety **SC6**, the installation complies with class 3 VDI 6036.

L = Length hook in mm: 3- 6,5- 7,5- 8,5- 9,5- 10,5 (see table below).
For hook L=3 mm necessary to use 4x SC6.



6063L070T

2x F7VERT EASY + 2x SC6



AK3

25

300

SC6
Safety device

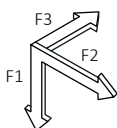
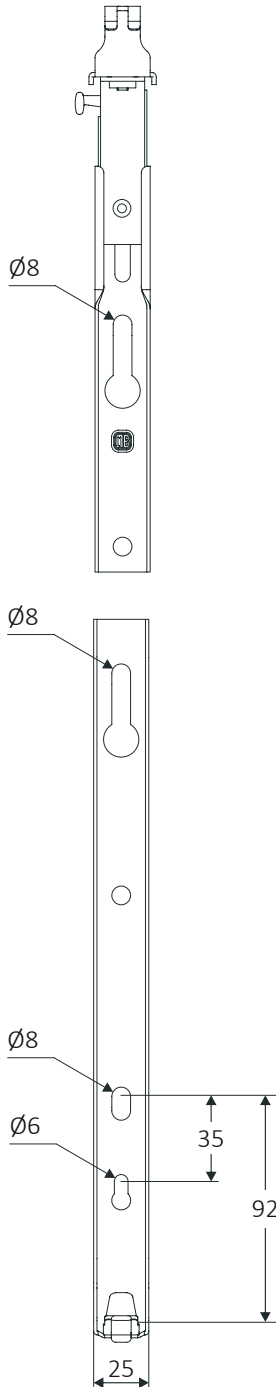


F7VERT
Easy

PATENTED

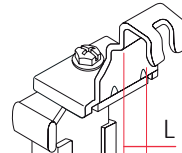


Measures are expressed in millimeters

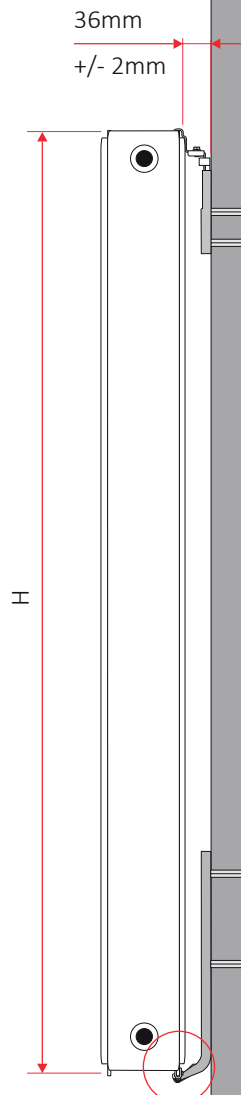


F1 = 1500 N

L = 3-6.5-7.5-8.5-9.5-10.5mm



Distance F7VERT



Запитуйте продукцію MB Fix в магазинах Півдьюма | www.pivduyma.ua



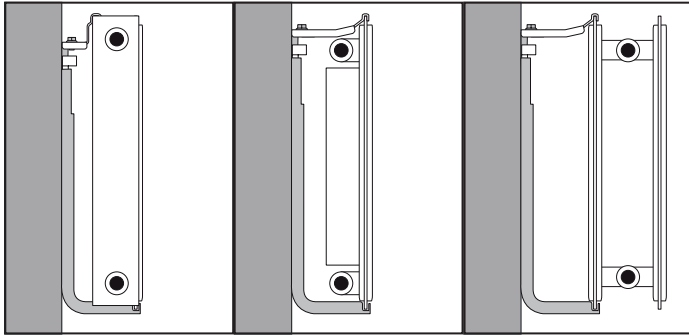
WALL RAIL BRACKETS

Two ready-to-install wall brackets for horizontal panel radiators type 10 and 11 with or without grille, with or without handles. Available also in version for sanitary installations, multi-adjustable head.

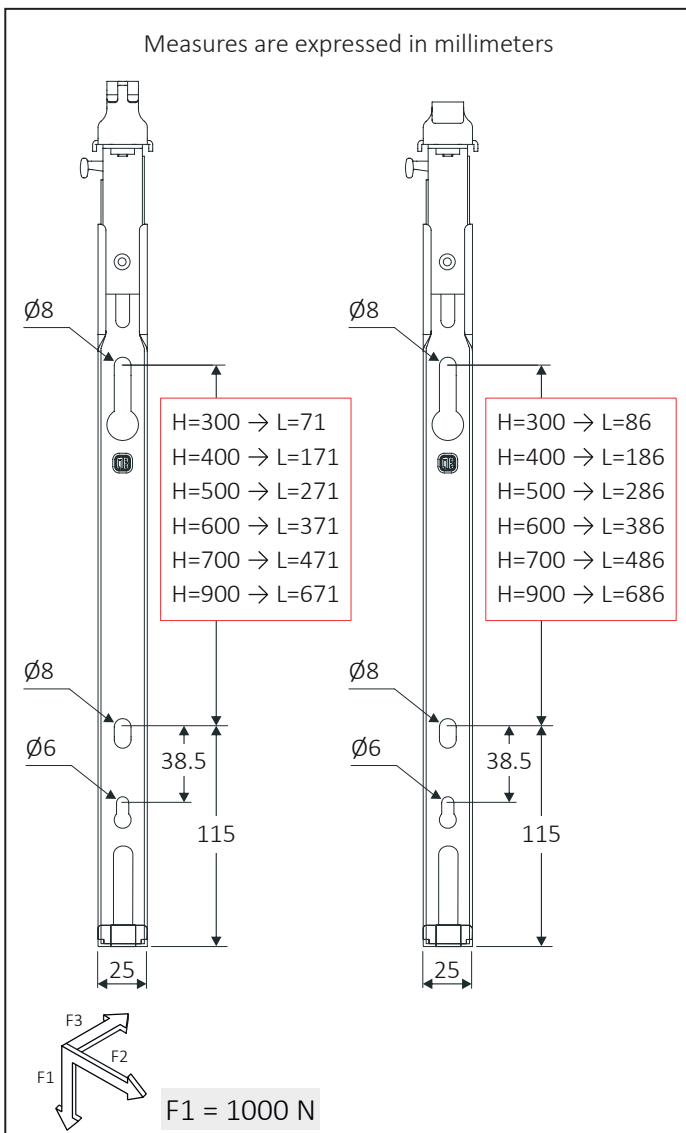


ON REQUEST 2x F7LG

ON REQUEST 2x F7L3



F7LG 10-11 with grille
F7L3 10-11 without grille
F7L3 for Clean



Запитуйте продукцію MB Fix в магазинах Півдюйма | www.pivduyma.ua



WALL RAIL BRACKETS

Brackets for quick wall mounting, for horizontal panel radiators with rear handles, with safety device anti-hooking/anti-slipping **SC5** integrated. Plastic insulators included. **GB1** is produced in different sizes, depending on the type and size of the radiator.



60550007

2x SC5



AK3

50

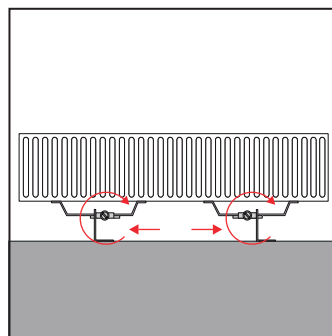
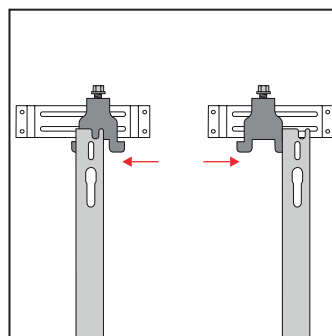
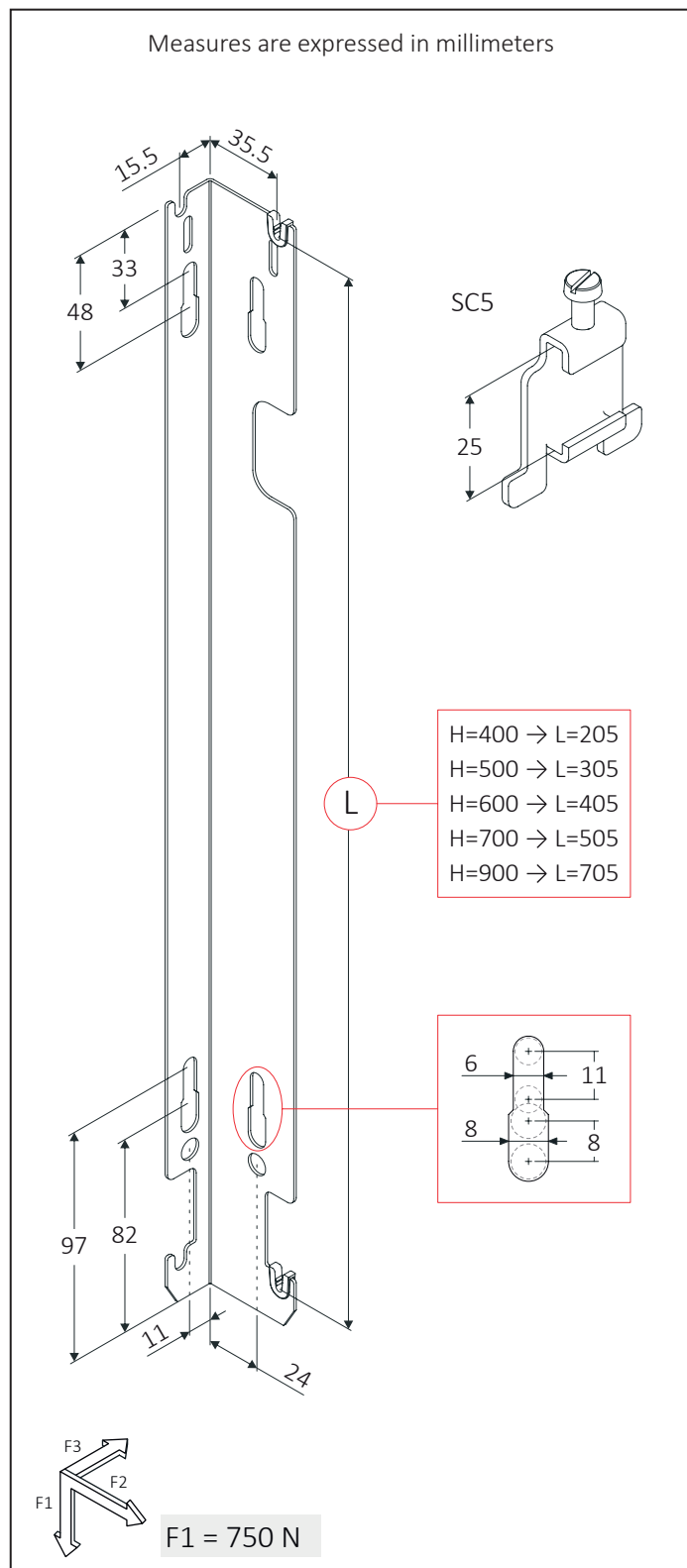
7500

SC5
Safety device

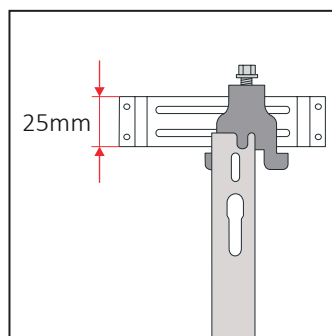
PATENTED

ON REQUEST

2x GB1



Dimension rear handle



Assembly instructions







Запитуйте продукцію MB Fix в магазинах Півдьюма | www.pivduyma.ua



WALL RAIL BRACKETS

Brackets for quick wall mounting, for horizontal panel radiators with rear handles, with safety device anti-hooking, micro-adjustable head approaching handle. Plastic insulators included.



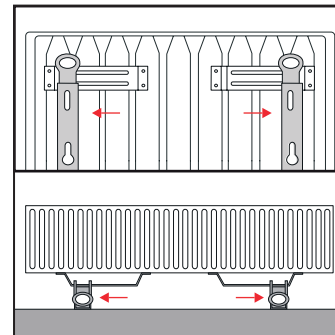
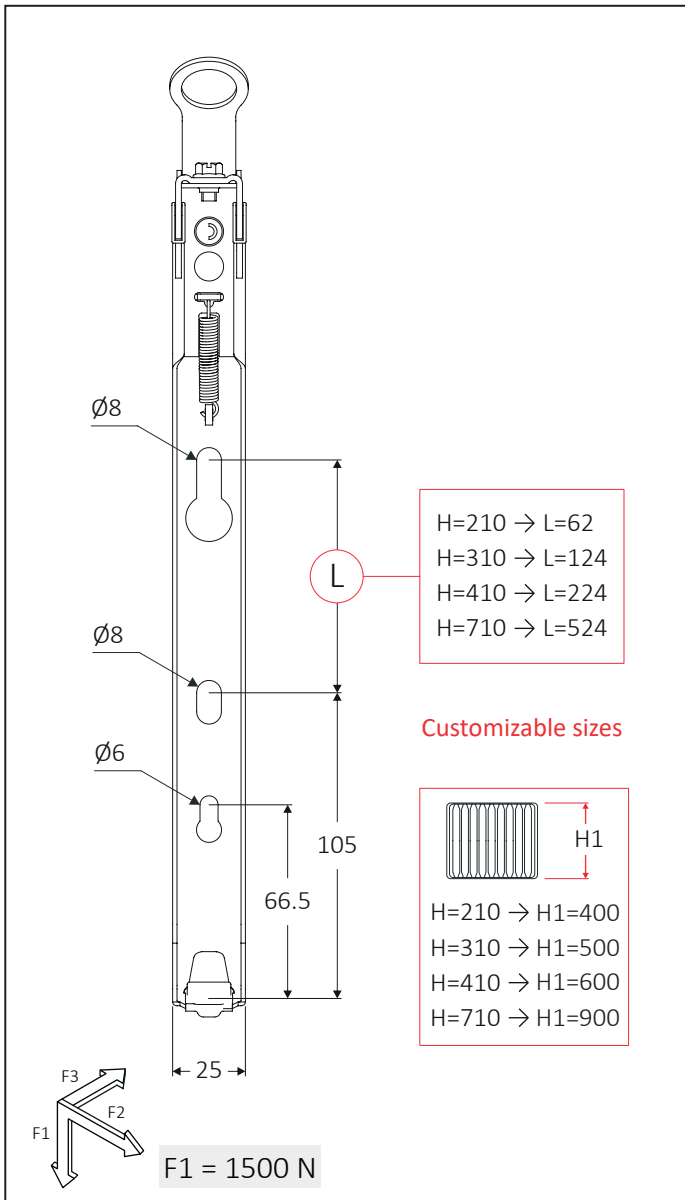
60688210	2x F8 H 400	 AK3	50	800
60688310	2x F8 H 500	 AK3	30	840
60688410	2x F8 H 600	 AK3	30	840
60688710	2x F8 H 900	 AK3	25	350
OTHER HEIGHTS ON REQUEST				

F8

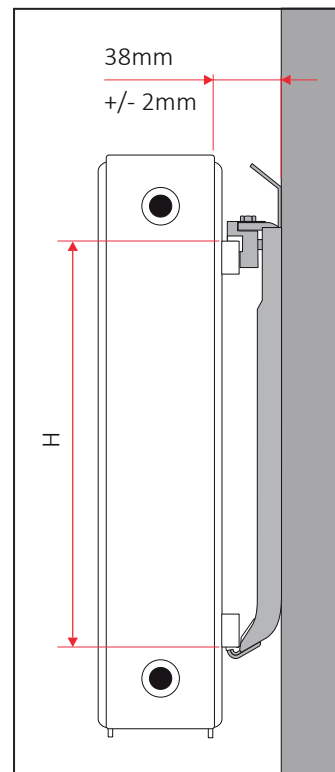


Measures are expressed in millimeters

VDI 6030 AK3



Height (H) on request



Запитуйте продукцію MB Fix в магазинах Півдьюма | www.pivduyma.ua



WALL RAIL BRACKETS

Brackets for quick wall mounting, for vertical panel radiators with rear handles, with safety device anti-hooking, micro-adjustable head approaching handle. Plastic insulators included.



60688390T0

2x F8VERT

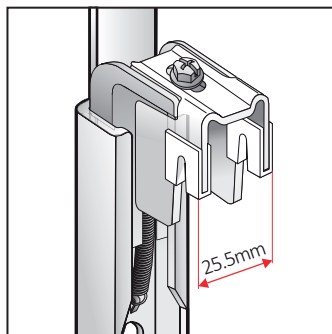
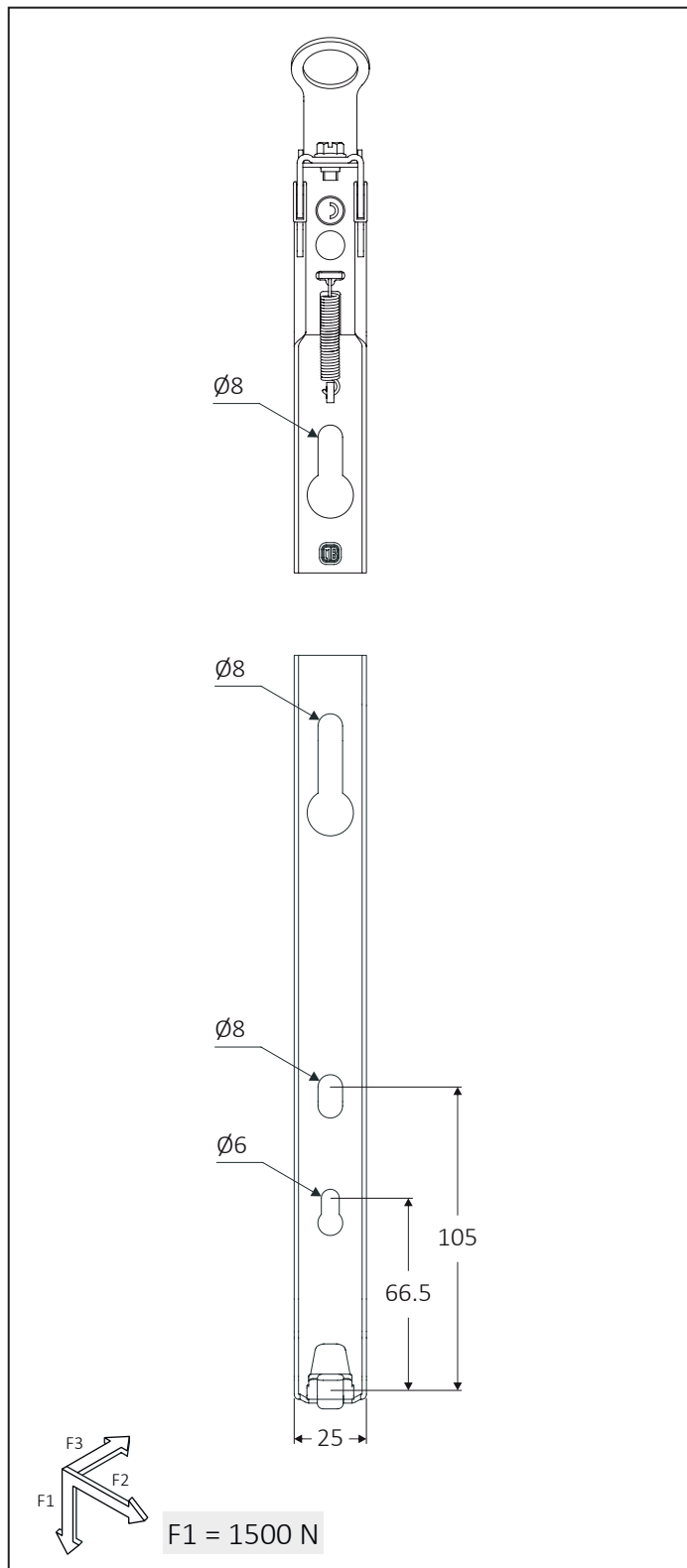


AK2

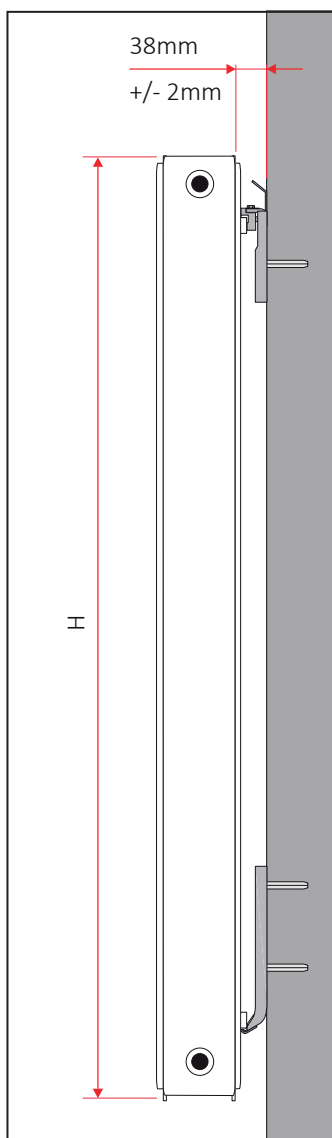
25

800

Measures are expressed in millimeters



Distance F8VERT



F8VERT



Запитуйте продукцію MB Fix в магазинах Півдьюма | www.pivduyma.ua



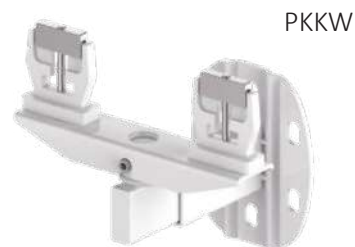
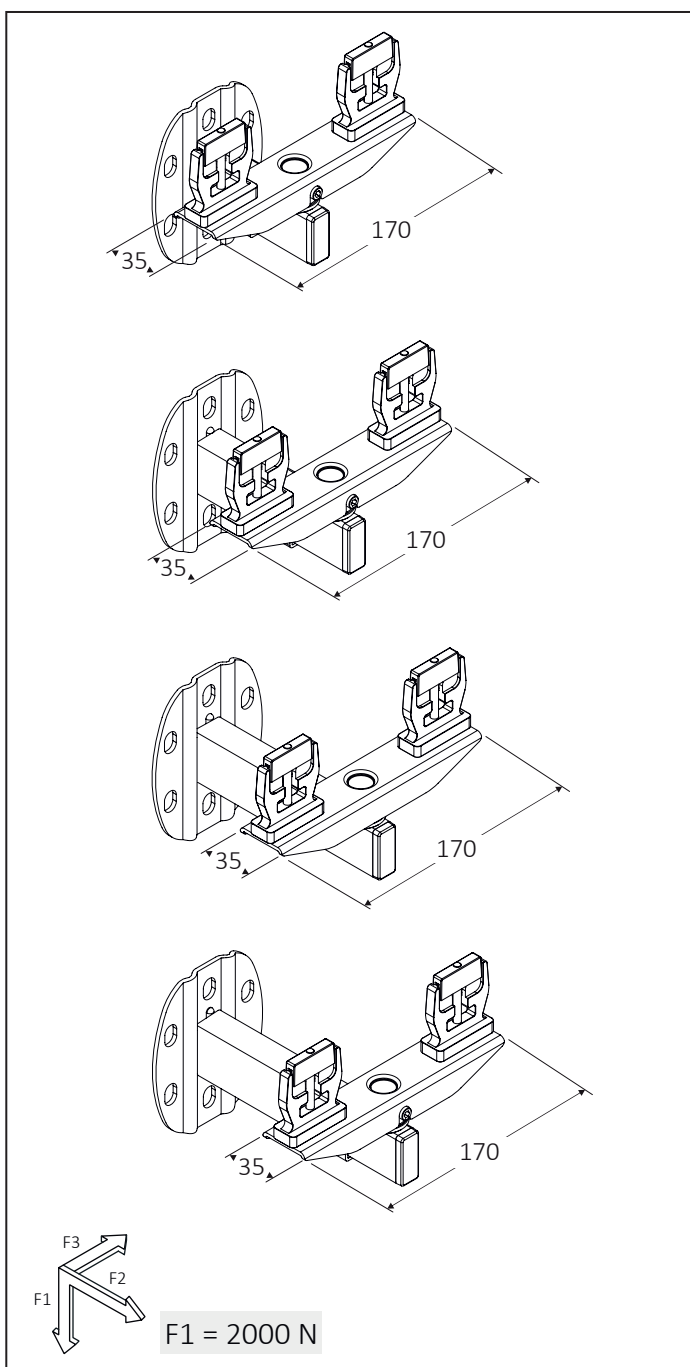
WALL BRACKETS

Ready-to-install wall brackets **PKKW** for convectors, base-cover **QKP** in white ABS included.



60744031	2x PKKW-1 + 2x QKP		AK2	1	150
60744032	2x PKKW-2 + 2x QKP		AK2	1	150
60744033	2x PKKW-3 + 2x QKP		AK2	1	150
60744034	2x PKKW-4 + 2x QKP		AK2	1	150

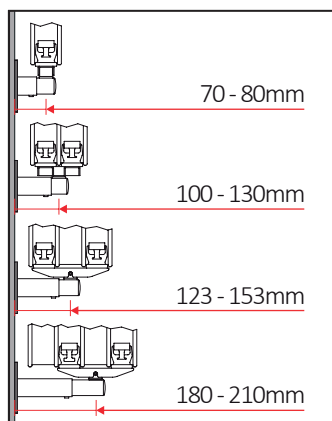
Measures are expressed in millimeters



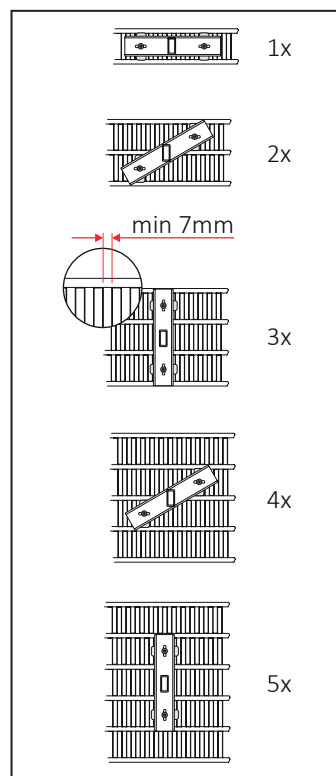
QKP



Distance PKKW



Regulations



Запитуйте продукцію MB Fix в магазинах Півдьюма | www.pivduyma.ua



WALL BRACKETS

A1 B4: Ready-to-install wall brackets for horizontal and vertical panel radiators with or without rear handles, adjustable head and base. **A10 B30:** Ready-to-install wall brackets for panel radiators with handles, adjustable head. **B30** with possible adjustment for distance handle to wall (68-82 mm). Plastic insulators included.

L = Length hook in mm: 6,5- 7,5- 8,5- 9,5- 10,5 (see table below).



604003L5	2x A1 + 2x B4	50	2500
60400310	2x A10 + 2x B30	50	2500



B4

A1



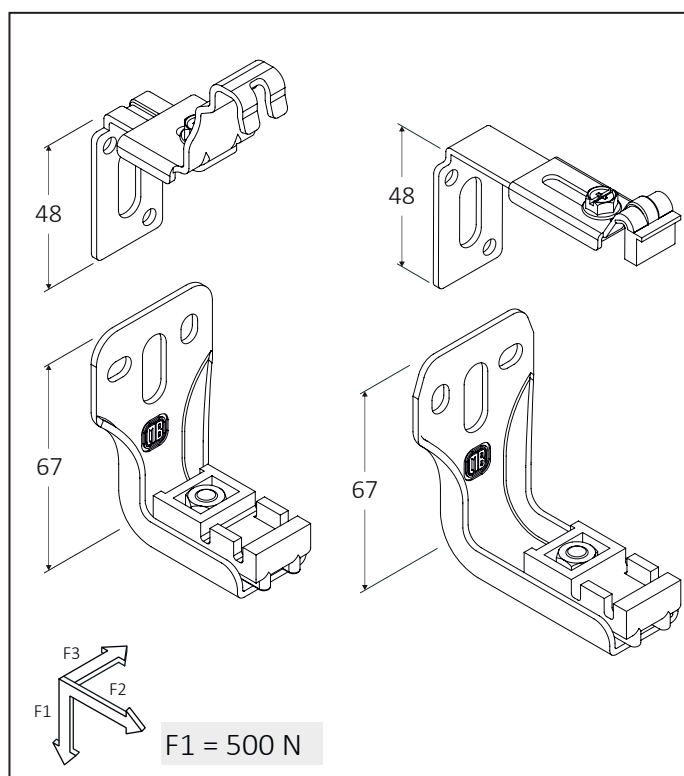
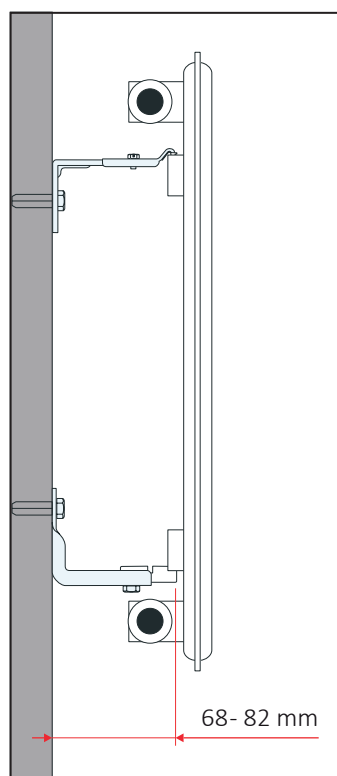
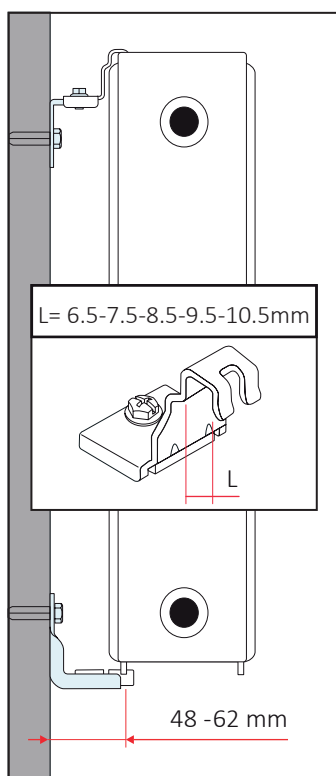
B30

A10

Distance A1 B4

Distance A10 B30

Measures are expressed in millimeters



Запитуйте продукцію MB Fix в магазинах Півдьюма | www.pivduyma.ua

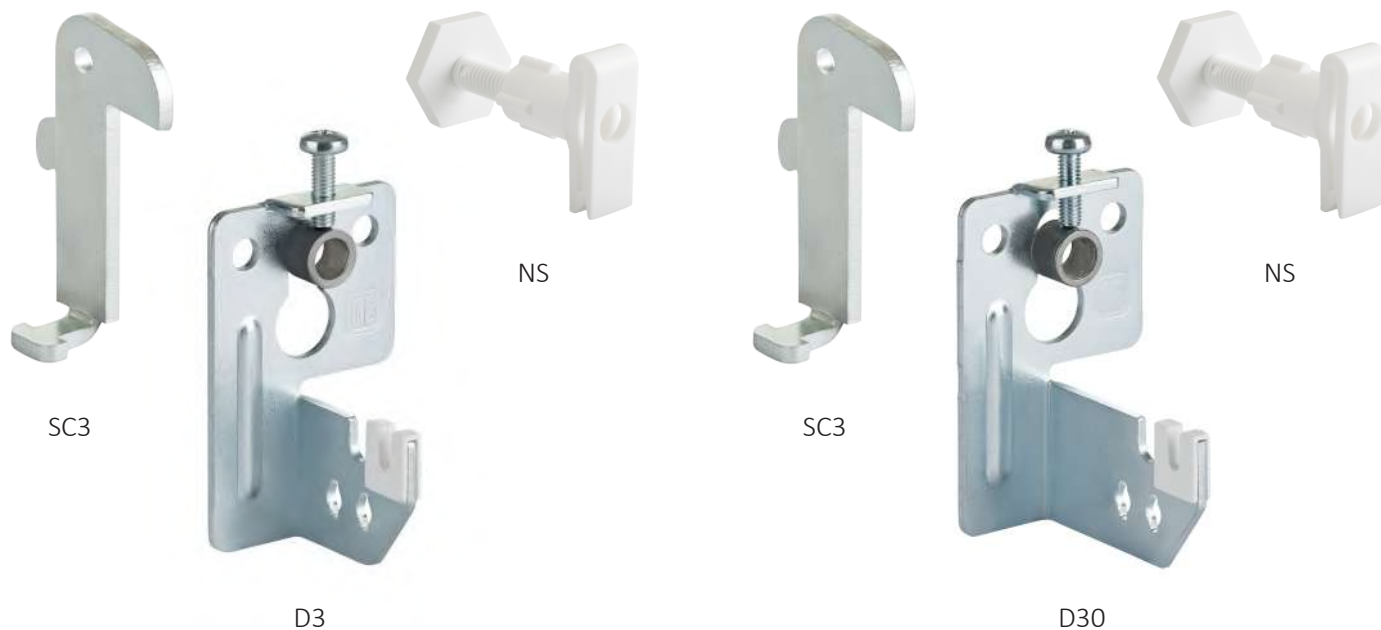


WALL BRACKETS

Ready-to-install wall brackets with spacer **NS** in white plastic and anti-hooking system **SC3**, for horizontal and vertical panel radiators with rear handles. Plastic insulators included. **D3**: radiators type 20-21-22-33. Adjustment for distance handle to wall (22-32 mm). **D30**: radiators type 10-11. Adjustment for distance handle to wall (35-45 mm).



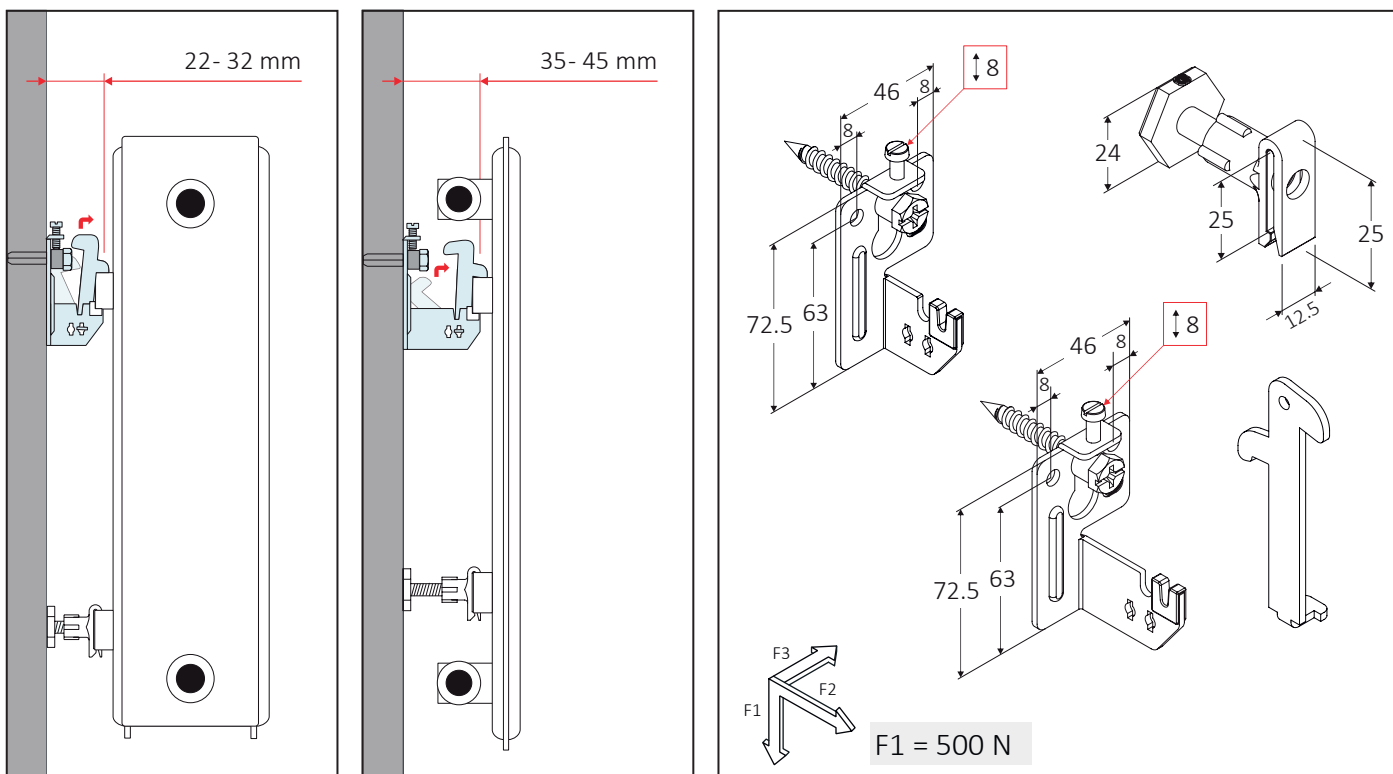
60400540	2x D3 + 2x NS + 2x SC3	50	3300
60400541	2x D30 + 2x NS + 2x SC3	50	2000



Distance D3

Distance D30

Measures are expressed in millimeters



Запитуйте продукцію MB Fix в магазинах Півдьюма | www.pivduyma.ua



EXPANSION BRACKETS

Kit of two expansion brackets for horizontal and vertical steel panel radiators with handles, with supports **CX** and spacers **NS**. Adjustment for distance from wall (34-66 mm). Plastic insulators included. **NP**: transparent extension for spacer **NS**.

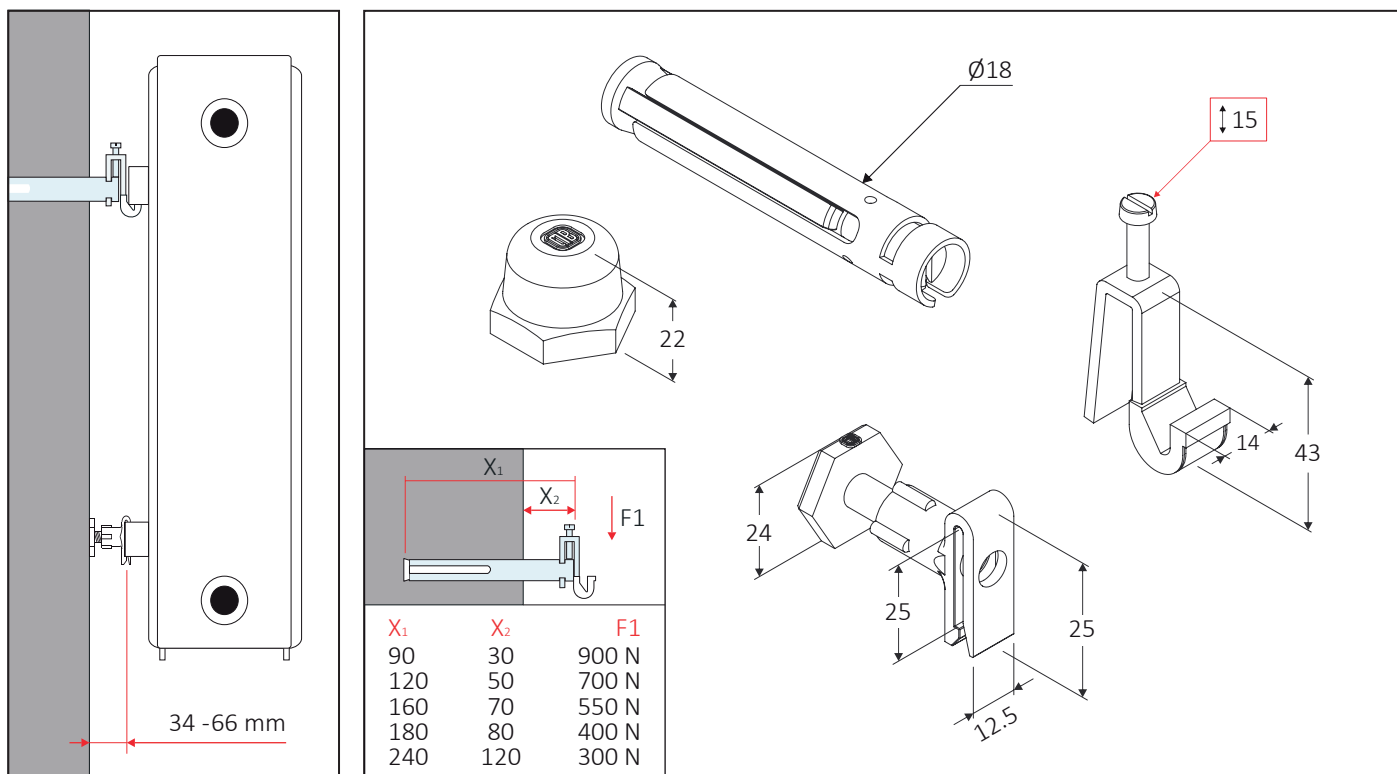


60530090	2x C 90 + 2x CX + 2x NS	50	2500
60530120	2x C 120 + 2x CX + 2x NS	50	2500
60530160	2x C 160 + 2x CX + 2x NS	50	2500
60530180	2x C 180 + 2x CX + 2x NS	50	2500
60530240	2x C 240 + 2x CX + 2x NS	50	2000
60020239	NP	100	5500



Distance C CX

Measures are expressed in millimeters



Запитуйте продукцію MB Fix в магазинах Півдьюма | www.pivduyma.ua



EXPANSION BRACKETS

Kit of two expansion brackets for horizontal and vertical steel panel radiators with handles and spacers **NS**.
Adjustment for distance from wall (34-66 mm). Plastic insulators included. **NP**: transparent extension for spacer **NS**.
SC1: safety device anti-hooking for expansion bracket **CE**.

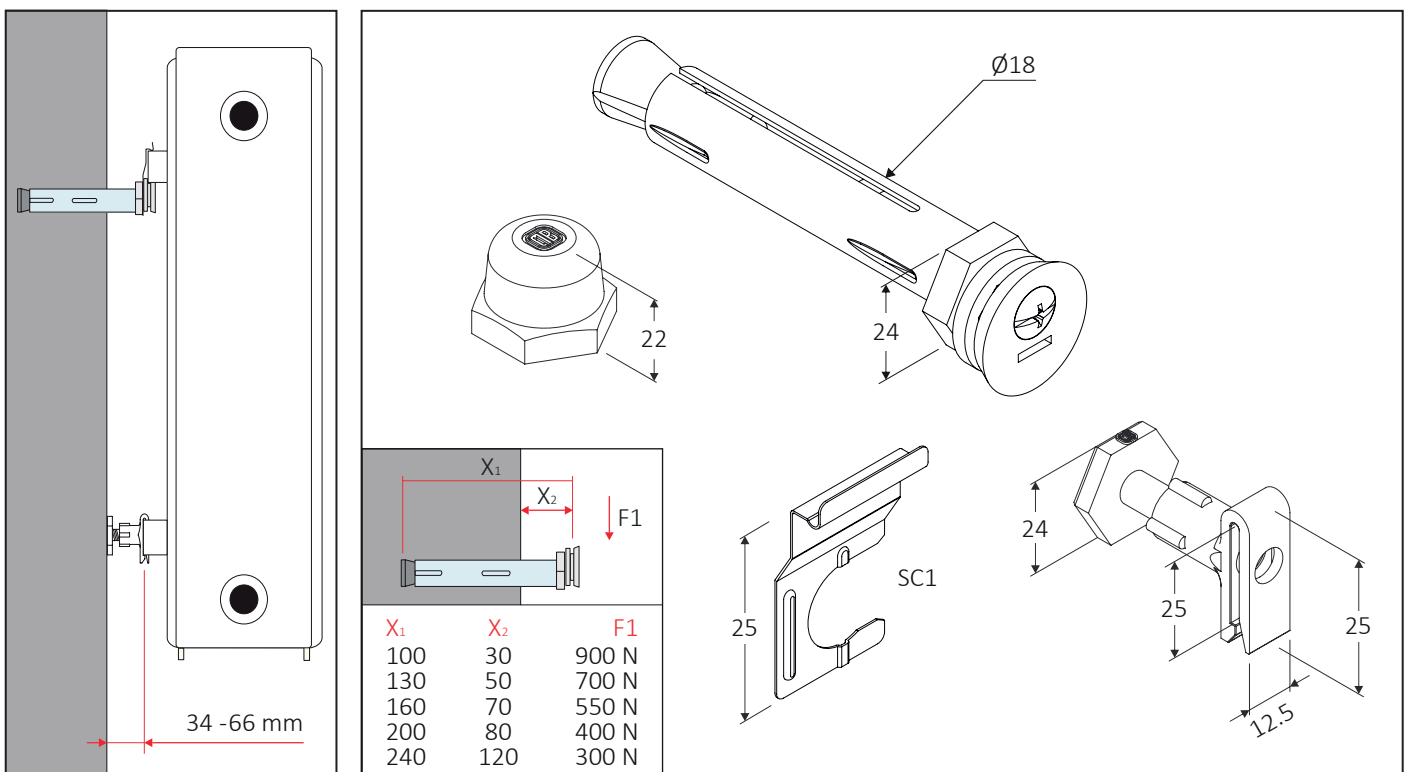


60592100	2x CE 100 + 2x NS	50	2500
60592130	2x CE 130 + 2x NS	50	2500
60592160	2x CE 160 + 2x NS	50	2000
60592200	2x CE 200 + 2x NS	50	1600
60592240	2x CE 240 + 2x NS	50	1600
6550001	SC1	100	2000
60020239	NP	100	5500



Distance CE

Measures are expressed in millimeters



Запитуйте продукцію MB Fix в магазинах Півдьюма | www.pivduyma.ua

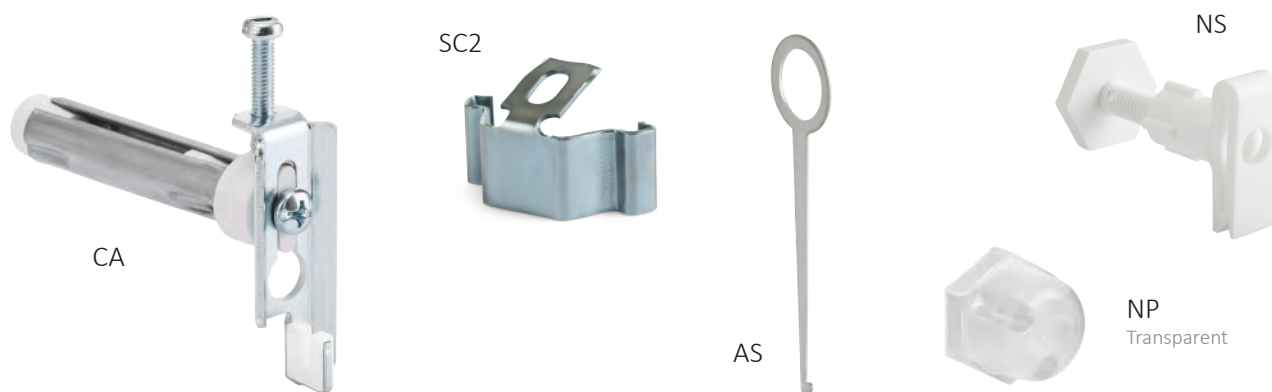


EXPANSION BRACKETS

Kit of two expansion brackets for horizontal and vertical steel panel radiators with handles and spacers **NS**. Adjustment for distance from wall (34-66 mm). Plastic insulators included. **SC2**: safety device anti-hooking for expansion bracket **CA**. **AS**: key for safety device anti-hooking **SC2**.

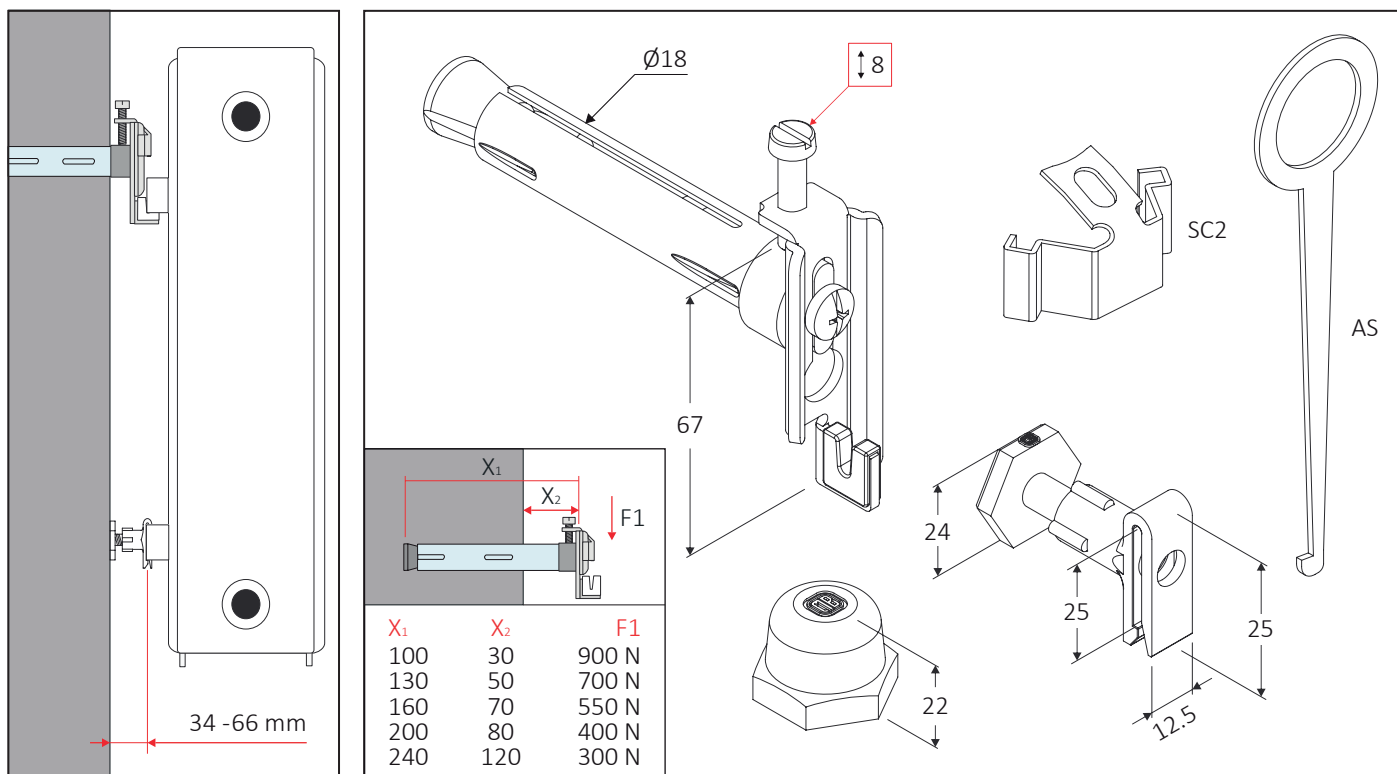


60594100	2x CA 100 + 2x NS	50	2500
60594130	2x CA 130 + 2x NS	50	2500
60594160	2x CA 160 + 2x NS	50	2000
60594200	2x CA 200 + 2x NS	50	1600
60594240	2x CA 240 + 2x NS	50	1600
60550002	100x SC2 + 4x AS	1	2000
60020239	NP	100	5500



Distance CA

Measures are expressed in millimeters

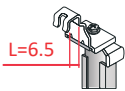


Запитуйте продукцію MB Fix в магазинах Півдьюма | www.pivduyma.ua



EXPANSION BRACKETS

Kit of two expansion brackets for horizontal and vertical steel panel radiators without handles. Plastic insulators included. Complies with VDI 6036.



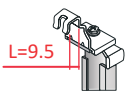
CV6: BUDERUS, DL RADIATORS, RADSON



69586100	2x CE 100 + 2x CV6 100		AK3	50	800
60586130	2x CE 130 + 2x CV6 130		AK3	50	800
60586160	2x CE 160 + 2x CV6 160		AK3	50	800
60586200	2x CE 200 + 2x CV6 200		AK3	50	800
60586240	2x CE 240 + 2x CV6 240		AK3	50	800



CV



CV10: HENRAD, KERMI, PURMO

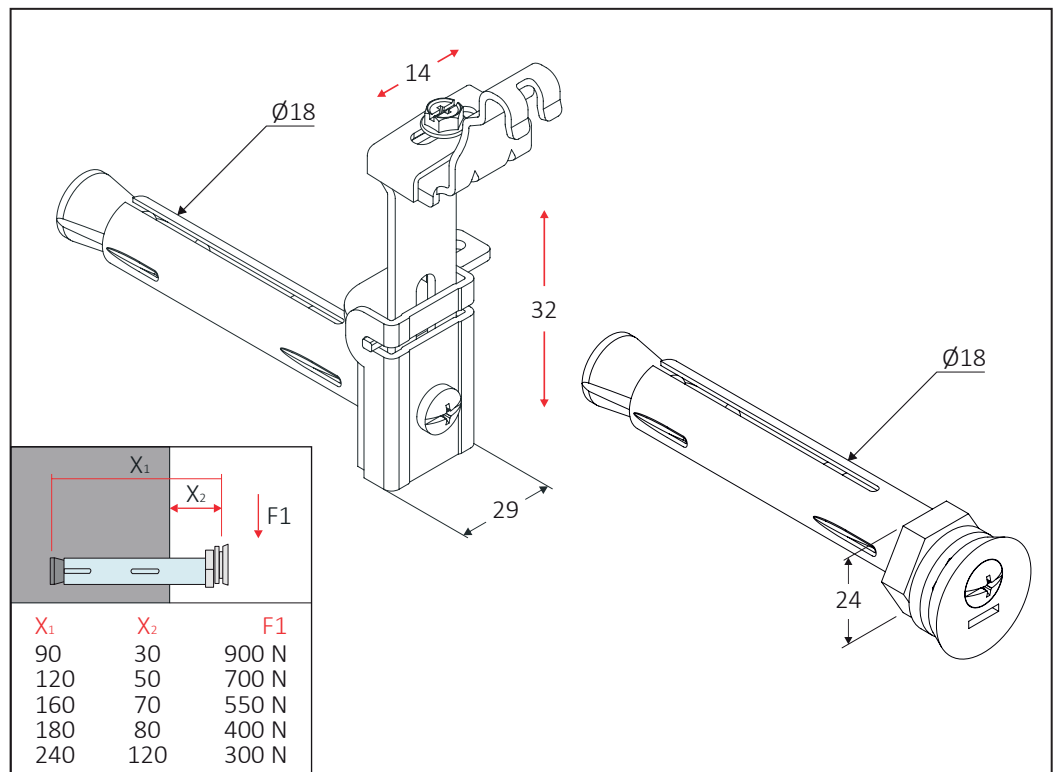
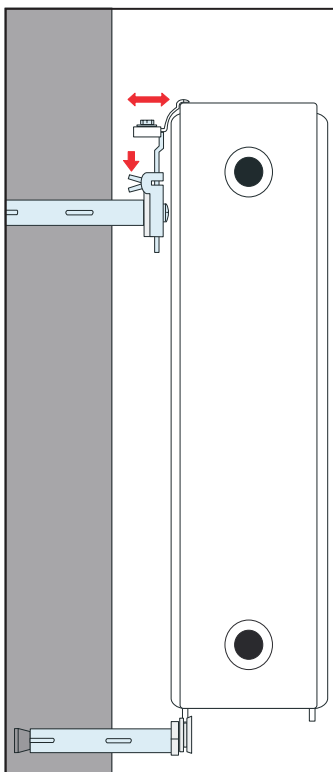
60587100	2x CE 100 + 2x CV10 100		AK3	50	800
60587130	2x CE 130 + 2x CV10 130		AK3	50	800
60587160	2x CE 160 + 2x CV10 160		AK3	50	800
60587200	2x CE 200 + 2x CV10 200		AK3	50	1250
60587240	2x CE 240 + 2x CV10 240		AK3	50	1000



CE

Regulation bracket CV

Measures are expressed in millimeters



Запитуйте продукцію MB Fix в магазинах Півдьюма | www.pivduyma.ua

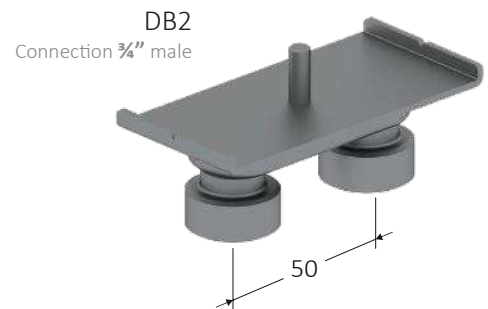
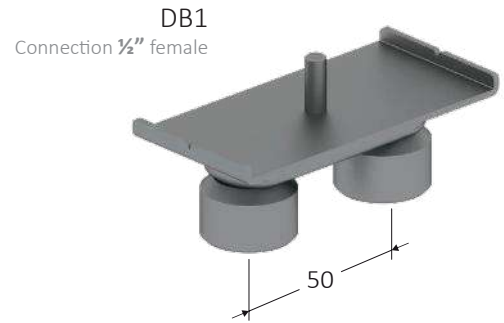
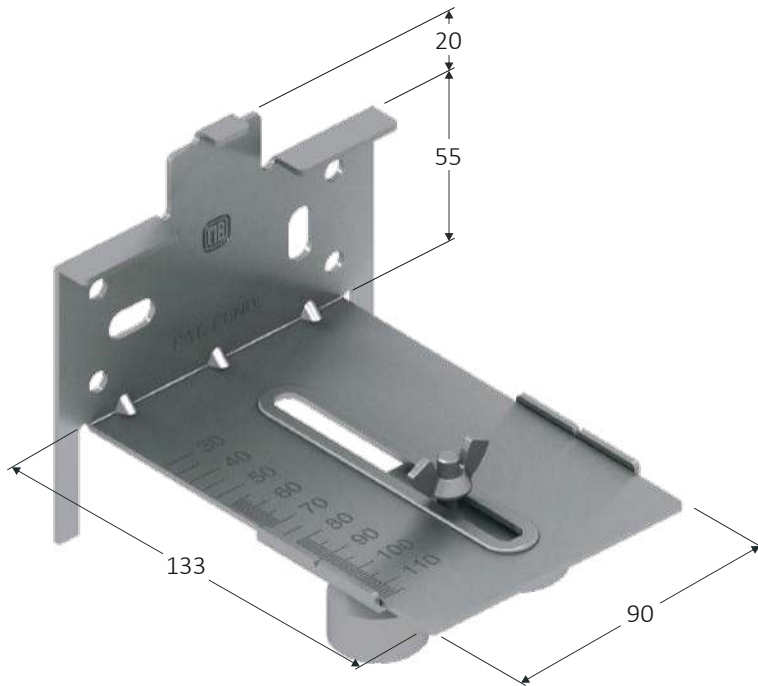


ACCESSORIES

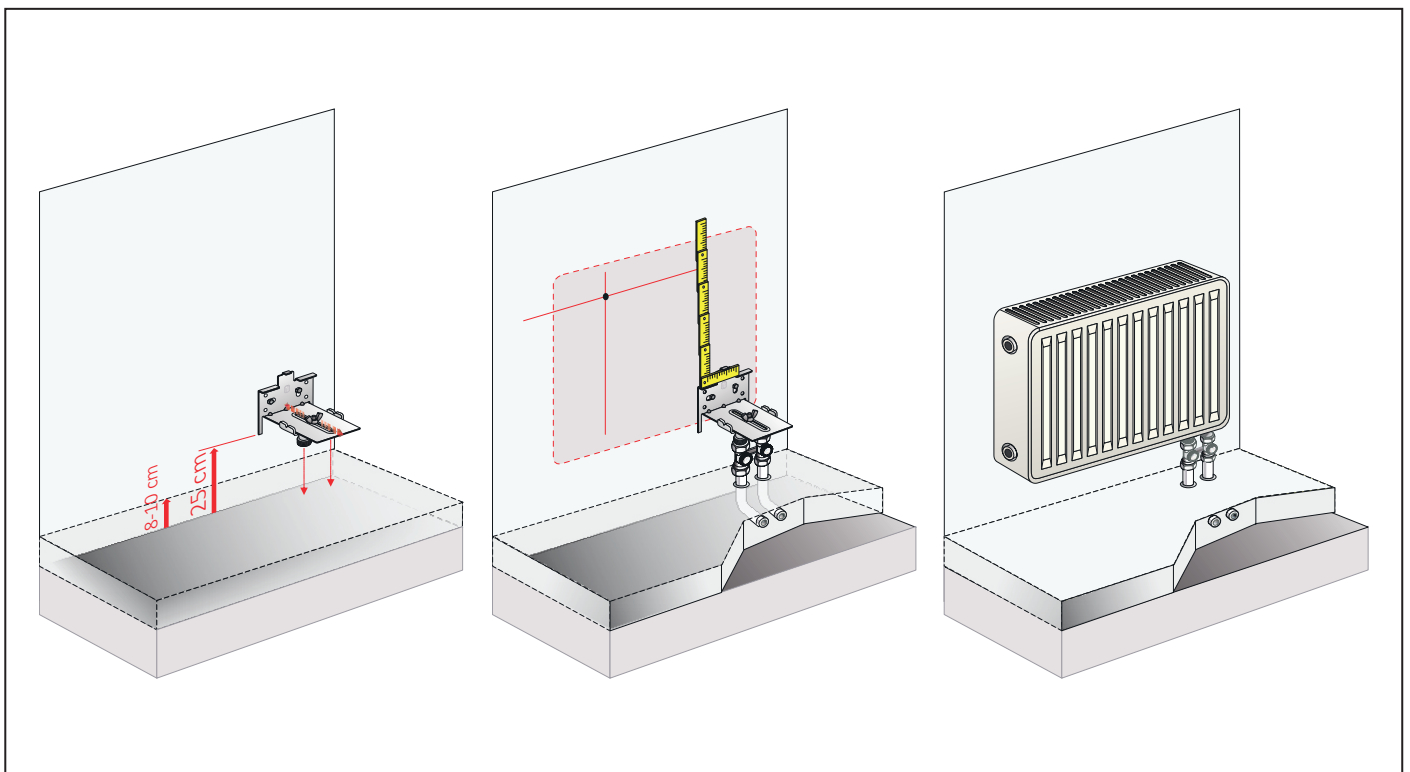
Template with bypass for testing heating systems. **DB1**: connection ½" female.
DB2: connection ¾" male.



60910001	DB1 ½" BYPASS	6	696
60910002	DB2 ¾" BYPASS	6	696



Template installation with **BYPASS** of ½" or ¾" - sealing **10 BAR**



Запитуйте продукцію MB Fix в магазинах Півдьюма | www.pivduyma.ua



ACCESSORIES

Kit of two ledge holders **QX3** for double or triple steel panel radiators.



60751010	2x QX3	1	500
60751010T6	2x QX3/T6 V+N	1	500

QX3

Support for top shelf



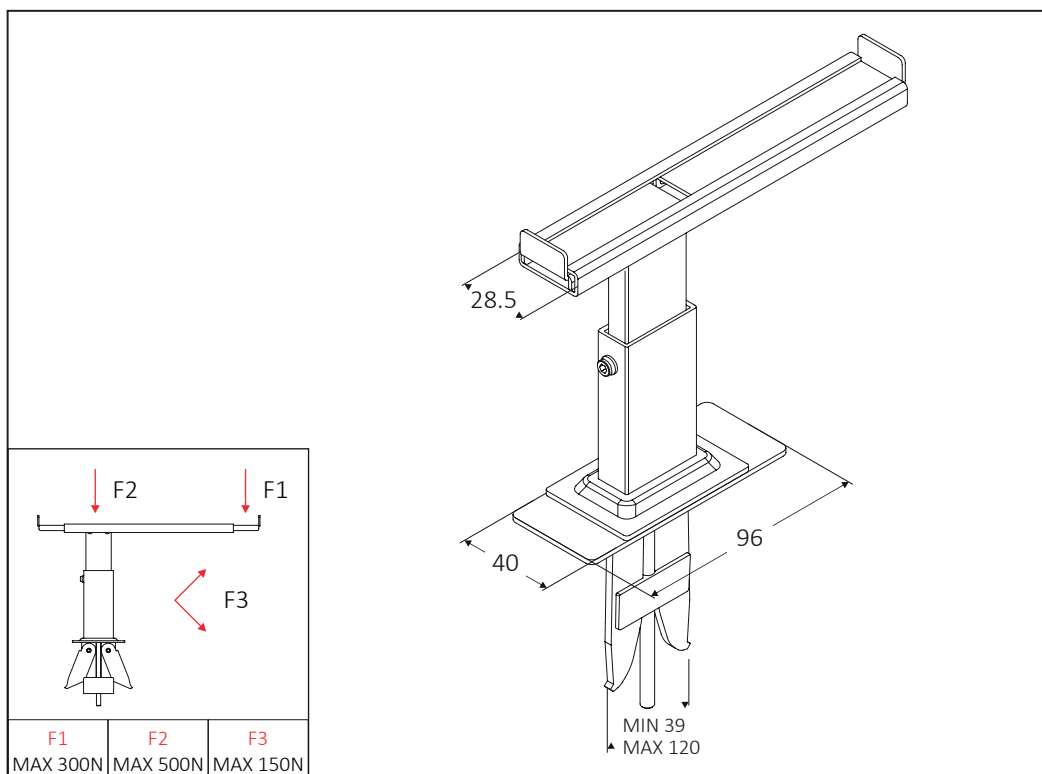
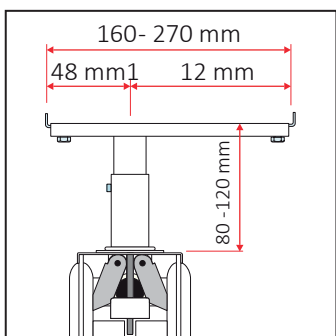
QX3-T6

Support for top shelf

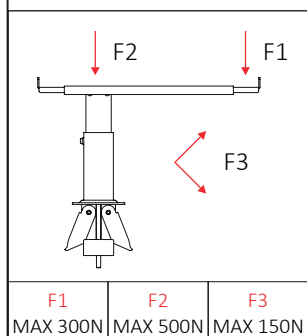


Regulations

Measures are expressed in millimeters



Assembly instructions



Запитуйте продукцію MB Fix в магазинах Півдьюма | www.pivduyma.ua





WE THINK THAT EVERY PROBLEM CAN BE SOLVED WITH
A TOUCH OF CREATIVITY

MB FIX SRL SB - VIA MADONNA NERA 2/B
I - 31030 BORSO DEL GRAPPA (TV)

marketing@mb-fix.it

Ph. +39 0423 913800

Fx. +39 0423 542188

Запитуйте продукцію MB Fix в магазинах Півдюйма | www.pivduyma.ua